



SCM

Systèmes et Connectique du Mans



SRC SERIES

Signal Connectors with bayonet locking system

Derived from VG95234 & in accordance with the NF F 61-030 standard



SCM
Systèmes et Connectique du Mans

Main Characteristics.....	2
Synoptic.....	3-4
Synoptic: Plug & Receptacle.....	6
Technical Characteristics.....	7
Part Numbering System: Assembled Connectors.....	8

Arrangements

Selection Chart.....	9
Keying System.....	9
Front View of the male insert.....	10
Crimp Contacts.....	11
Part Numbering System: Shells.....	12
Inserts.....	13
Cavities Shutters.....	13
Grommets.....	14
Panel Gaskets.....	15

Plug & Receptacle: Part Numbers & Dimensions

Plugs: Standard - Type 26.....	16
Plugs for EMI shielding - Type 36.....	16
Receptacles: Standard - Type 23.....	17
Receptacles with threaded fixing holes - Type 43.....	17
Receptacles without back thread - Type 03.....	18
Receptacles "Jam nut" - Type 04.....	19
Panel Cut Out.....	20-21
Part Numbering System: Backshells.....	22
Backshells Dimensions.....	23-37

Accessories

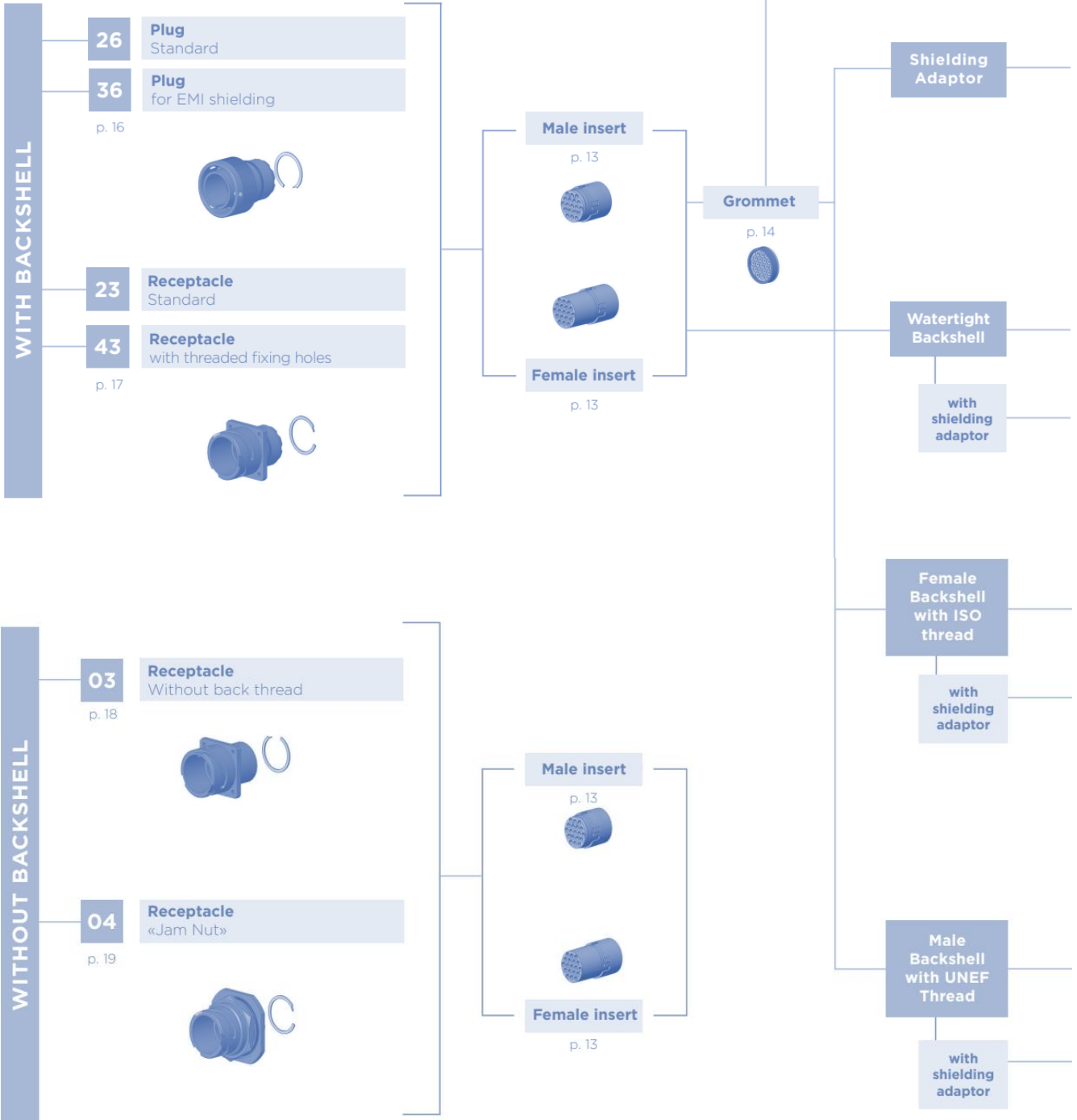
Cable glands.....	38
Conduct Adaptors.....	38
Reducers.....	38
Straight and 90° angled Strain Reliefs.....	39
Protective Caps.....	40
Safety Instructions.....	41

Main Characteristics - SRC

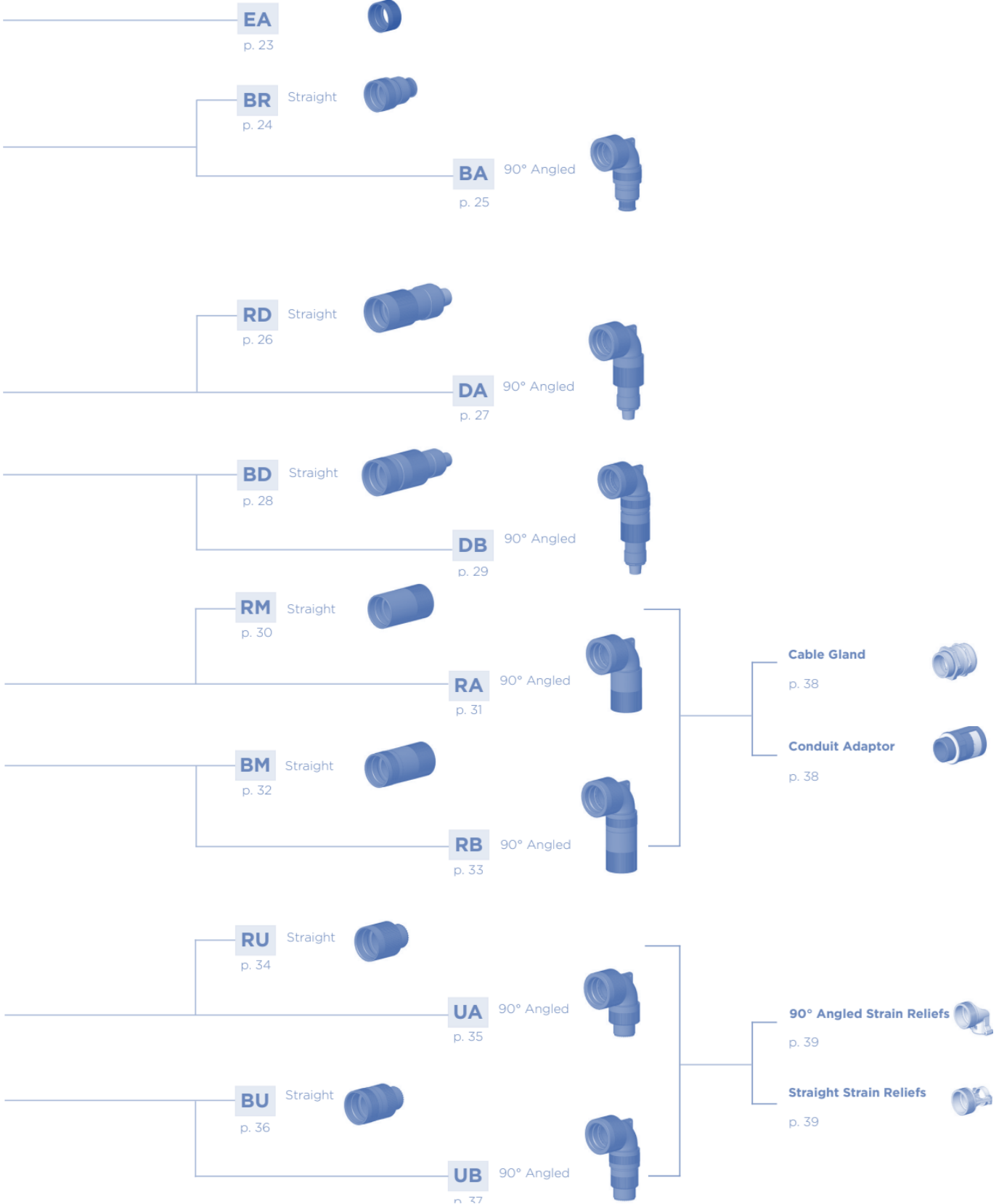
- Connector in accordance with NF F 61-030 and meets EN 45545-2
- In accordance with the RoHS directive
- Reverse bayonet connector derived from VG 95234 standard
- Hard thermoplastic insert is self-extinguishing and halogene free
- Removable and interchangeable inserts (plug and receptacle can be male or female)
- Removable contacts retained by spring clip for a safe and quick cabling
- Angled and straight backshells for integrating in different configurations



Implementation Synoptic - SRC

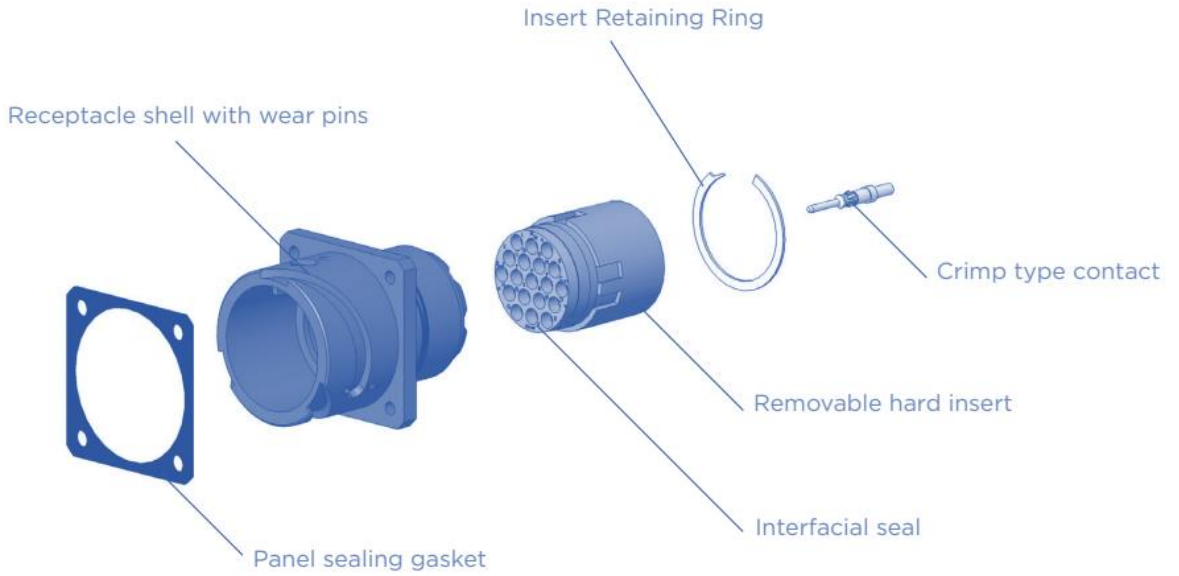


Implementation Synoptic - SRC

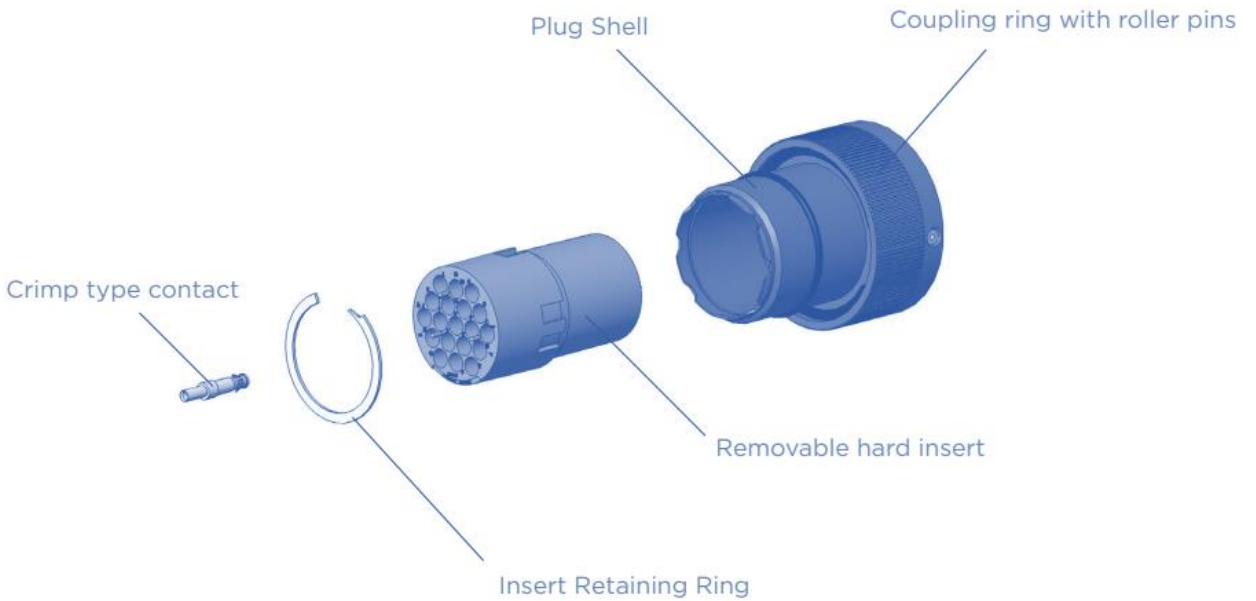


Synoptic - SRC

RECEPTACLE



PLUG



Technical Characteristics - SRC

ELECTRICAL

Withstand Voltage : see page 10

Insulation Resistance : > 5000 MΩ

Crimp Contact : AWG16, 12 and 8

Max. rating : see page 9

Contact Resistance : AWG16 : < 2.5 mΩ - AWG12 : < 1.3 mΩ - AWG8 : < 0.9 mΩ

Creepage distance / Clearance distance : In mated conditions, interfacial seal in compression

	16S-1	18-12	18-19	20-15	22-14	24-10	28-21	32A13	36A22	40A35	40A60
Contacts	AWG16S	AWG16	AWG16	AWG12	AWG16	AWG8	AWG16	AWG12	AWG12	AWG12	AWG16
Creepage Distance	10 (0.394)	11 (0.433)	11 (0.433)	13 (0.512)	11 (0.433)	12.5 (0.492)	11 (0.433)	14 (0.551)	12.5 (0.492)	12 (0.472)	11 (0.433)
Clearance Distance	10 (0.394)	10.5 (0.413)	10.5 (0.413)	12.5 (0.492)	10.5 (0.413)	12 (0.472)	10.5 (0.413)	13.5 (0.531)	12 (0.472)	11.5 (0.453)	10.5 (0.413)

mm / (inch)

MATERIAL

Shell : Aluminium alloy

Shell plating :

Black passivation - 250 H Salt Spray - Conductive

Black anodizing - 500 H Salt Spray - Non Conductive

Contact : Gold or silver plated brass

Insert :

Halogen & phosphorus free Thermoplastic UL 94-V0

Requirement 4 according to NF F 16-101 & NF F 16-102

CTI : 600 V following IEC 60112

Grommet & Interfacial seal : Silicone

NF F 16-101 & NF F 16-102 requirement 2 or 4

EN 45545-2

Retaining Ring : Stainless steel

ENVIRONMENTAL

Service Temperature : -40°C +100°C (-40°F +212°F)

Salt Spray : 250 or 500 hours depending on the treatment

Protection Index : IP 66 mated with suitable backshell according to EN60529

Fluid Resistance : gasoil, mineral oil, acid, base and cutting fluid

MECHANICAL

Durability : 500 mating cycles

Vibration : 5 g

Shocks : 30 g - 18 ms semi-sinusoïdale

Keying System : 3 to 5 positions

Application specification FT05006

Part Numbering System - SRC

ASSEMBLED CONNECTORS WITH INSERT,
WITH OR WITHOUT BACKSHELL

SRC R 23 X 28-21 P N RU K G
Assembled connectors with insert Backshell

SHELL TYPES

Receptacles

- 03** Without Back Thread
- 04** Jam nut
- 23** Standard
- 43** With threaded fixing holes

Plugs

- 26** Standard
- 36** For EMI shielding

SHELL PLATING

- P** Black passivation - 250 H Salt Spray - Conductive
- X** Black anodizing - 500 H Salt Spray - Non Conductive
 - Except 36 shell type

SHELL SIZE AND ARRANGEMENTS - Pages 10

Insert Types

- P** Male
- S** Female

KEYING SYSTEM - Page 9

TYPE DE RACCORDS - See pages 3-4

EA - BR - BA - RD - DA - BD - DB - RM - RA - BM - RB - RU - UA - BU - UB

BACKSHELL CAPACITIES

0 Backnut EA & Shielding Adaptor BR

Autres raccords :

- D to T** Watertight backshell - pages 26-29
- C to L** Backshell with ISO female thread - pages 30-33
- C to X** Backshell with UNEF male thread - pages 34-37

GROMMET

- G** With grommet
- No digit** With grommet

SOLD SEPARATELY

- Contacts** page 11
- Accessories** page 38-40
- Panel Gaskets** page 15
- Shutters** page 13

Arrangement - SRC

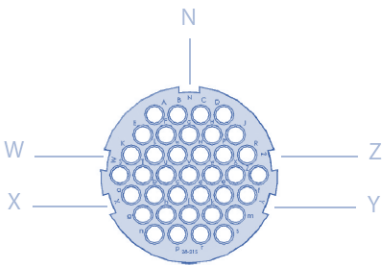
ARRANGEMENT SELECTION CHART

No.	Contact				Nominal Current*	Shell Size	Arrangement	Max cable O.D.
	#16S	#16	#12	#8				
6		6			25A	18	18-12	3.9 (0.153)
7	7				18A	16S1	16S-1	3.9 (0.153)
7			7		34A	20	20-15	5.0 (0.196)
7				7	45A	24	24-10	6.9 (0.271)
10		10			22A	18	18-19	3.9 (0.153)
13			13		33A	32	32A13	5.0 (0.196)
19		19			20A	22	22-14	3.9 (0.153)
22			22		32A	36	36A22	5.0 (0.196)
35			35		27A	40	40A35	5.0 (0.196)
37		37			19A	28	28-21	3.9 (0.153)
60		60			17A	40	40A60	3.9 (0.153)

* Nominal Current with max. cable cross-section

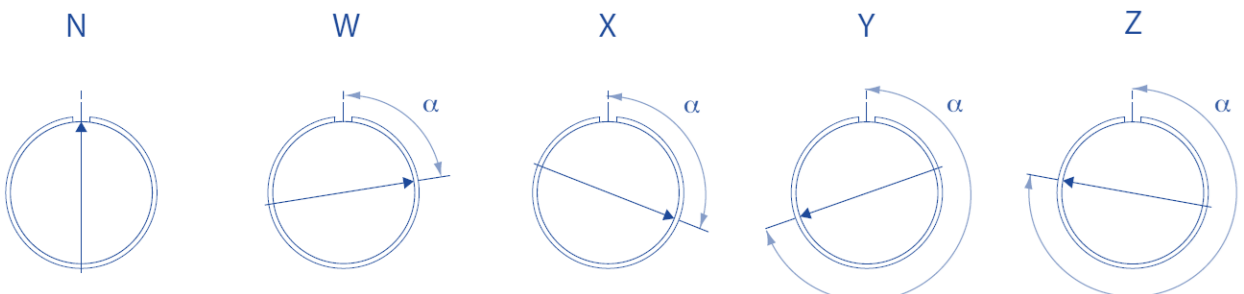
mm / (inch)

KEYING SYSTEM



Front view of male insert - Insert rotation

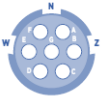
Arrangement	N	W	X	Y	Z	Keying Orientation isolant
	Angle α (°)					
16S-1	0	80	-	-	280	N-W-Z
18-12	0	80	-	-	280	N-W-Z
18-19	0	-	120	240	-	N-X-Y
20-15	0	80	-	-	280	N-W-Z
22-14	0	80	110	250	280	N-W-X-Y-Z
24-10	0	80	110	250	280	N-W-X-Y-Z
28-21	0	80	110	250	280	N-W-X-Y-Z
32A13	0	65	130	230	295	N-W-X-Y-Z
36A22	0	80	110	250	280	N-W-X-Y-Z
40A35	0	70	130	230	290	N-W-X-Y-Z
40A60	0	80	110	250	280	N-W-X-Y-Z



Arrangement - SRC

SIZE 16S

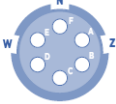
16S-1 7 contacts **AWG 16S**



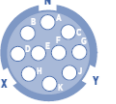
Standards	Service Voltage	Withstand Voltage
NF F 61-030	220 V	2 550 V
VG95234	700 V	2 800 V

SIZE 18

18-12 6 contacts **AWG 16**



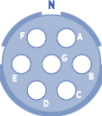
18-19 10 contacts **AWG 16**



Standards	Service Voltage	Withstand Voltage
NF F 61-030	220 V	2 550 V
VG95234	700 V	2 800 V

SIZE 20

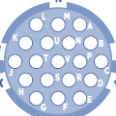
20-15 7 contacts **AWG 12**



Standards	Service Voltage	Withstand Voltage
NF F 61-030	500 V	3 250 V
VG95234	700 V	3 600 V

SIZE 22

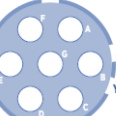
22-14 19 contacts **AWG 16**



Standards	Service Voltage	Withstand Voltage
NF F 61-030	220 V	2 550 V
VG95234	700 V	2 800 V

SIZE 24

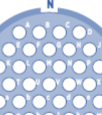
24-10 7 contacts **AWG 8**



Standards	Service Voltage	Withstand Voltage
NF F 61-030	500 V	3 250 V
VG95234	700 V	3 600 V

SIZE 28

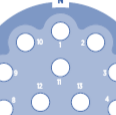
28-21 37 contacts **AWG 16**



Standards	Service Voltage	Withstand Voltage
NF F 61-030	220 V	2 550 V
VG95234	700 V	2 800 V

SIZE 32

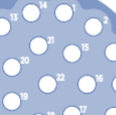
32A13 13 contacts **AWG 12**



Standards	Service Voltage	Withstand Voltage
NF F 61-030	500 V	3 250 V
VG95234	1 250 V	3 600 V

SIZE 36

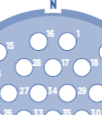
36A22 22 contacts **AWG 12**



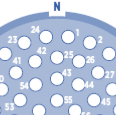
Standards	Service Voltage	Withstand Voltage
NF F 61-030	500 V	3 250 V
VG95234	1 250 V	3 600 V

SIZE 40

40A35 35 contacts **AWG 12**



40A60 60 contacts **AWG 16**



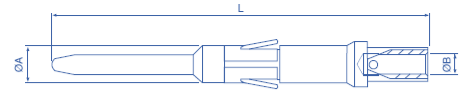
Standards	Service Voltage	Withstand Voltage
NF F 61-030	500 V	3 250 V
VG95234	1 250 V	3 600 V

Standards	Service Voltage	Withstand Voltage
NF F 61-030	220 V	2 550 V
VG95234	700 V	2 800 V

Front View of Male Insert

Crimp Contacts - SRC

MALE CONTACTS

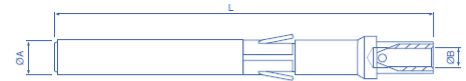


Size	Plating	Part Number	Cable cross-section	A	B	L	Tool			
							Crimping	Locator	Insertion	Extraction
AWG16S 1,6 mm	Ag	SRCS205589-A00	0,5 à 1,82 mm ² (20 to 15 AWG)	3,9 (0.153)	1,95 (0.076)	27,5 (1.082)	OUT0405-0167AS0 (FT8)	OUTS208448	OUT31748-000A2	OUTEXT-0321
	Au	SRCS205589-A01	0,5 à 1,82 mm ² (20 to 15 AWG)	3,9 (0.153)	1,95 (0.076)	27,5 (1.082)	OUT0405-0167AS0 (FT8)	OUTS208448	OUT31748-000A2	OUTEXT-0321
AWG16 1,6 mm	Ag	SRCS202415-A00	0,5 à 1,82 mm ² (20 to 15 AWG)	3,9 (0.153)	1,95 (0.076)	30 (1.181)	OUT0405-0167AS0 (FT8)	OUT0405-0176AS (TPI012)	OUT31748-000A2	OUTEXT-0321
	Au	SRCS202415-A01	0,5 à 1,82 mm ² (20 to 15 AWG)	3,9 (0.153)	1,95 (0.076)	30 (1.181)	OUT0405-0167AS0 (FT8)	OUT0405-0176AS (TPI012)	OUT31748-000A2	OUTEXT-0321
	Ag	SRCS202419-A00	1,34 à 2,61 mm ² (15 to 13 AWG)	3,9 (0.153)	2,20 (0.086)	30 (1.181)	OUT0405-0167AS0 (FT8)	OUT0405-0176AS (TPI012)	OUT31748-000A2	OUTEXT-0321
	Au	SRCS202419-A01	1,34 à 2,61 mm ² (15 to 13 AWG)	3,9 (0.153)	2,20 (0.086)	30 (1.181)	OUT0405-0167AS0 (FT8)	OUT0405-0176AS (TPI012)	OUT31748-000A2	OUTEXT-0321
AWG12 2,4 mm	Ag	SRCS201118-A00	1,34 à 2,61 mm ² (15 to 13 AWG)	5,0 (0.196)	2,20 (0.086)	32 (1.259)	OUT0405-0167AS0 (FT8)	OUT0405-0164AS (M22520/1-02)	OUTI8990-0004	OUTEXT-0420
	Au	SRCS201118-A01	1,34 à 2,61 mm ² (15 to 13 AWG)	5,0 (0.196)	2,20 (0.086)	32 (1.259)	OUT0405-0167AS0 (FT8)	OUT0405-0164AS (M22520/1-02)	OUTI8990-0004	OUTEXT-0420
	Ag	SRCS202409-A00	2,5 à 4 mm ² (13 to 11 AWG)	5,0 (0.196)	2,55 (0.100)	32 (1.259)	OUT0405-0110AS0 (M317)	OUT0405-0168AS (TP900-1)	OUTI8990-0004	OUTEXT-0420
	Au	SRCS202409-A01	2,5 à 4 mm ² (13 to 11 AWG)	5,0 (0.196)	2,55 (0.100)	32 (1.259)	OUT0405-0110AS0 (M317)	OUT0405-0168AS (TP900-1)	OUTI8990-0004	OUTEXT-0420
AWG8 3,6 mm	Ag	SRCS202413-A00	2,5 à 4 mm ² (13 to 11 AWG)	7,6 (0.299)	2,55 (0.100)	32 (1.259)	OUT0405-0110AS0 (M317)	OUTS208447	-	OUTEXT-0550
	Au	SRCS202413-A01	2,5 à 4 mm ² (13 to 11 AWG)	7,6 (0.299)	2,55 (0.100)	32 (1.259)	OUT0405-0110AS0 (M317)	OUTS208447	-	OUTEXT-0550
	Ag	SRCS201515-A00	4 à 6 mm ² (11 to 9 AWG)	7,6 (0.299)	3,80 (0.149)	32 (1.259)	OUT0405-0110AS0 (M317)	OUTS208447	-	OUTEXT-0550
	Au	SRCS201515-A01	4 à 6 mm ² (11 to 9 AWG)	7,6 (0.299)	3,80 (0.149)	32 (1.259)	OUT0405-0110AS0 (M317)	OUTS208447	-	OUTEXT-0550

Ag : Silver plated - Au : Gold plated

mm / (inch)

FEMALE CONTACTS



Size	Plating	Part Number	Cable cross-section	A	B	L	Tool			
							Crimping	Locator	Insertion	Extraction
AWG16 /16S 1,6 mm	Ag	SRCS202416-A00	0,5 à 1,82 mm ² (20 to 15 AWG)	3,9 (0.153)	1,95 (0.076)	19 (0.748)	OUT0405-0167AS0 (FT8)	OUT0405-0176AS (TPI012)	OUT31748-000A2	OUTEXT-0321
	Au	SRCS202416-A01	0,5 à 1,82 mm ² (20 to 15 AWG)	3,9 (0.153)	1,95 (0.076)	19 (0.748)	OUT0405-0167AS0 (FT8)	OUT0405-0176AS (TPI012)	OUT31748-000A2	OUTEXT-0321
	Ag	SRCS202420-A00	1,34 à 2,61 mm ² (15 to 13 AWG)	3,9 (0.153)	2,20 (0.086)	19 (0.748)	OUT0405-0167AS0 (FT8)	OUT0405-0176AS (TPI012)	OUT31748-000A2	OUTEXT-0321
	Au	SRCS202420-A01	1,34 à 2,61 mm ² (15 to 13 AWG)	3,9 (0.153)	2,20 (0.086)	19 (0.748)	OUT0405-0167AS0 (FT8)	OUT0405-0176AS (TPI012)	OUT31748-000A2	OUTEXT-0321
AWG12 2,4 mm	Ag	SRCS201117-A00	1,34 à 2,61 mm ² (15 to 13 AWG)	5,0 (0.196)	2,20 (0.086)	25 (0.984)	OUT0405-0167AS0 (FT8)	OUT0405-0164AS (M22520/1-02)	OUTI8990-0004	OUTEXT-0420
	Au	SRCS201117-A01	1,34 à 2,61 mm ² (15 to 13 AWG)	5,0 (0.196)	2,20 (0.086)	25 (0.984)	OUT0405-0167AS0 (FT8)	OUT0405-0164AS (M22520/1-02)	OUTI8990-0004	OUTEXT-0420
	Ag	SRCS202410-A00	2,5 à 4 mm ² (13 to 11 AWG)	5,0 (0.196)	2,55 (0.100)	25 (0.984)	OUT0405-0110AS0 (M317)	OUT0405-0168AS (TP900-1)	OUTI8990-0004	OUTEXT-0420
	Au	SRCS202410-A01	2,5 à 4 mm ² (13 to 11 AWG)	5,0 (0.196)	2,55 (0.100)	25 (0.984)	OUT0405-0110AS0 (M317)	OUT0405-0168AS (TP900-1)	OUTI8990-0004	OUTEXT-0420
AWG8 3,6 mm	Ag	SRCS202414-A00	2,5 à 4 mm ² (13 to 11 AWG)	7,6 (0.299)	2,55 (0.100)	25 (0.984)	OUT0405-0110AS0 (M317)	OUTS208447	-	OUTEXT-0550
	Au	SRCS202414-A01	2,5 à 4 mm ² (13 to 11 AWG)	7,6 (0.299)	2,55 (0.100)	25 (0.984)	OUT0405-0110AS0 (M317)	OUTS208447	-	OUTEXT-0550
	Ag	SRCS201516-A00	4 à 6 mm ² (11 to 9 AWG)	7,6 (0.299)	3,80 (0.149)	25 (0.984)	OUT0405-0110AS0 (M317)	OUTS208447	-	OUTEXT-0550
	Au	SRCS201516-A01	4 à 6 mm ² (11 to 9 AWG)	7,6 (0.299)	3,80 (0.149)	25 (0.984)	OUT0405-0110AS0 (M317)	OUTS208447	-	OUTEXT-0550

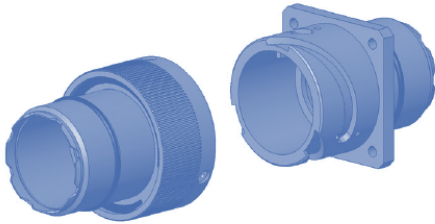
Ag : Silver plated - Au : Gold plated

mm / (inch)

Part Numbering System- SRC

SHELL

SRC C 23 X 22



SHELL TYPES

Square flange receptacles

- 03** Without Back Thread
- 04** Jam nut
- 23** Standard
- 43** With threaded fixing holes

Plugs

- 26** Standard
- 36** For EMI shielding

SHELL PLATING

- P** Black passivation - 250 H Salt Spray - Conductive
- X** Black anodizing - 500 H Salt Spray - Non Conductive
 - Except 36 shell type

SHELL SIZES

16S - 18 - 20 - 22 - 24 - 28 - 32 - 36 - 40

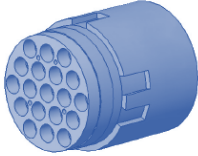
SRCC23X22

Square flange receptacle with thread size 22 - Plating : black anodizing

Note: All shells are supplied with the insert retaining ring

Inserts - SRC

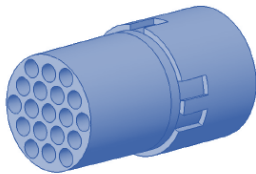
MALE INSERTS WITH INTERFACIAL SEAL



Shell Size	Arrangement	Part Number	Max cable O.D.	Weight (g)
16S	16S-1	SRC IR 16S-1PD	3,9 (0.153)	5
18	18-12	SRC IR 18-12PD	3,9 (0.153)	7
18	18-19	SRC IR 18-19PD	3,9 (0.153)	7
20	20-15	SRC IR 20-15PD	5,0 (0.197)	9
22	22-14	SRC IR 22-14PD	3,9 (0.153)	12
24	24-10	SRC IR 24-10PD	6,9 (0.272)	14
28	28-21	SRC IR 28-21PD	3,9 (0.153)	18
32	32A13	SRC IR 32A13PD	5,0 (0.197)	22
36	36A22	SRC IR 36A22PD	5,0 (0.197)	32
40	40A35	SRC IR 40A35PD	5,0 (0.197)	44
40	40A60	SRC IR 40A60PD	3,9 (0.153)	49

mm / (inch)

FEMALE INSERTS



Shell Size	Arrangement	Part Number	Max cable O.D.	Weight (g)
16S	16S-1	SRC IR 16S-1SD	3,9 (0.153)	7
18	18-12	SRC IR 18-12SD	3,9 (0.153)	10
18	18-19	SRC IR 18-19SD	3,9 (0.153)	9
20	20-15	SRC IR 20-15SD	5,0 (0.197)	12
22	22-14	SRC IR 22-14SD	3,9 (0.153)	15
24	24-10	SRC IR 24-10SD	6,9 (0.272)	16
28	28-21	SRC IR 28-21SD	3,9 (0.153)	25
32	32A13	SRC IR 32A13SD	5,0 (0.197)	30
36	36A22	SRC IR 36A22SD	5,0 (0.197)	50
40	40A35	SRC IR 40A35SD	5,0 (0.197)	63
40	40A60	SRC IR 40A60SD	3,9 (0.153)	71

mm / (inch)

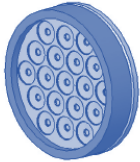
CAVITIES SHUTTERS



Contact	Type	Part Number
AWG16/16S	Male	SRC 202730-A00
	Female	SRC 202730-A00
AWG12	Male	SRC 202732-A00
	Female	SRC 202733-A00
AWG8	Male	SRC 202735-A00
	Female	SRC 202736-A00

Grommets - SRC

WIRE SEAL GROMMETS FOR MALE INSERTS

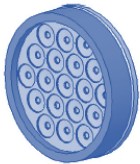


Note: A follower is provided with each grommet

Shell Size	Arrangement	Part Number	Min cable O.D.	Max cable O.D.	Weight (g)
16S	16S-1	SRC G 16S-1P	1,3 (0.051)	3,9 (0.153)	1,55
18	18-12	SRC G 18-12P	1,3 (0.051)	3,9 (0.153)	2,50
18	18-19	SRC G 18-19P	1,3 (0.051)	3,9 (0.153)	2,20
20	20-15	SRC G 20-15P	1,7 (0.067)	5,0 (0.197)	2,60
22	22-14	SRC G 22-14P	1,3 (0.051)	3,9 (0.153)	3,60
24	24-10	SRC G 24-10P	2,2 (0.087)	6,9 (0.272)	5,15
28	28-21	SRC G 28-21P	1,3 (0.051)	3,9 (0.153)	5,40
32	32A13	SRC G 32A13P	1,7 (0.067)	5,0 (0.197)	9,65
36	36A22	SRC G 36A22P	1,7 (0.067)	5,0 (0.197)	11,15
40	40A35	SRC G 40A35P	1,7 (0.067)	5,0 (0.197)	11,85
40	40A60	SRC G 40A60P	1,3 (0.051)	3,9 (0.153)	13,75

mm / (inch)

WIRE SEAL GROMMETS FOR FEMALE INSERTS



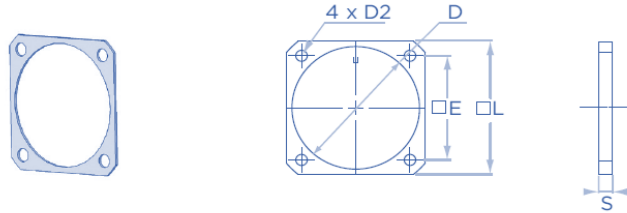
Note: A follower is provided with each grommet

Shell Size	Arrangement	Part Number	Min cable O.D.	Max cable O.D.	Weight (g)
16S	16S-1	SRC G 16S-1S	1,3 (0.051)	3,9 (0.153)	1,55
18	18-12	SRC G 18-12S	1,3 (0.051)	3,9 (0.153)	2,50
18	18-19	SRC G 18-19S	1,3 (0.051)	3,9 (0.153)	2,20
20	20-15	SRC G 20-15S	1,7 (0.067)	5,0 (0.197)	2,60
22	22-14	SRC G 22-14S	1,3 (0.051)	3,9 (0.153)	3,60
24	24-10	SRC G 24-10S	2,2 (0.087)	6,9 (0.272)	5,15
28	28-21	SRC G 28-21S	1,3 (0.051)	3,9 (0.153)	5,40
32	32A13	SRC G 32A13S	1,7 (0.067)	5,0 (0.197)	9,65
36	36A22	SRC G 36A22S	1,7 (0.067)	5,0 (0.197)	11,15
40	40A35	SRC G 40A35S	1,7 (0.067)	5,0 (0.197)	11,85
40	40A60	SRC G 40A60S	1,3 (0.051)	3,9 (0.153)	13,75

mm / (inch)

Accessories - SRC

PANEL GASKET



Shell Size	L	E	D2	D	Conductive			Non conductive		
					S	Part Number	Weight	S	Part Number	Weight
16S	32,5 (1.279)	24,6 (0.968)	4,2 (0.165)	27,4 (1.078)	2 (0.078)	SRC J CR 16S	0,80	1 (0.039)	SRC J NR 16S	0,40
18	35,0 (1.377)	27,0 (1.062)	4,2 (0.165)	30,8 (1.212)	2 (0.078)	SRC J CR 18	0,80	1 (0.039)	SRC J NR 18	0,40
20	38,0 (1.496)	29,4 (1.157)	4,2 (0.165)	34,2 (1.346)	2 (0.078)	SRC J CR 20	0,90	1 (0.039)	SRC J NR 20	0,45
22	41,0 (1.614)	31,8 (1.252)	4,2 (0.165)	37,4 (1.472)	2 (0.078)	SRC J CR 22	1,05	1 (0.039)	SRC J NR 22	0,50
24	44,5 (1.751)	34,9 (1.374)	4,2 (0.165)	40,9 (1.610)	2 (0.078)	SRC J CR 24	1,20	1 (0.039)	SRC J NR 24	0,60
28	50,8 (1.999)	39,7 (1.562)	5,1 (0.200)	46,7 (1.838)	2 (0.078)	SRC J CR 28	1,45	1 (0.039)	SRC J NR 28	0,75
32	57,0 (2.244)	44,5 (1.752)	5,1 (0.200)	53,4 (2.102)	2 (0.078)	SRC J CR 32	1,80	1 (0.039)	SRC J NR 32	0,90
36	63,5 (2.499)	49,2 (1.937)	5,1 (0.200)	59,6 (2.346)	2 (0.078)	SRC J CR 36	2,25	1 (0.039)	SRC J NR 36	1,10
40	69,9 (2.751)	55,5 (2.185)	5,1 (0.200)	65,5 (2.578)	2 (0.078)	SRC J CR 40	2,80	1 (0.039)	SRC J NR 40	1,40

Material : JNR : Nitrile Elastomer - JCR : Conductive silicone

mm / (inch)

Plugs - SRC

STANDARD

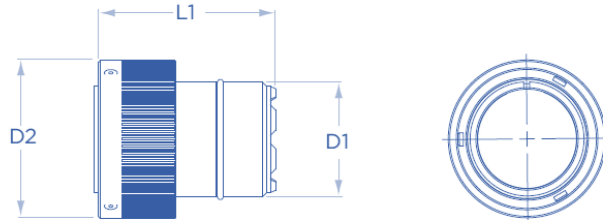
26

This plug with a UNEF back thread and o'ring allows you to use either a straight or angled backshell.

FOR EMI SHIELDING

36

This plug with a UNEF back thread and o'ring allows you to use either a straight or angled backshell. Furthermore, it is equipped with a conductive gasket and conductive plating to ensure a 360° shielding continuity.



Shell Size	L1	D1	D2	* Weight (g)
16S	42 (1.653)	7/8"-20UNEF-2A	33,00 (1.299)	27
18	50,5 (1.988)	1"-20UNEF-2A	37,60 (1.480)	42
20	50,5 (1.988)	1 1/8"-18UNEF-2A	40,60 (1.598)	45
22	50,5 (1.988)	1 1/4"-18UNEF-2A	44,00 (1.732)	51
24	50,5 (1.988)	1 3/8"-18UNEF-2A	47,50 (1.870)	60
28	50,5 (1.988)	1 5/8"-18UNEF-2A	53,40 (2.102)	72
32	50,5 (1.988)	1 7/8"-16UN-2A	60,00 (2.362)	89
36	50,5 (1.988)	2 1/16"-16UNS-2A	68,00 (2.677)	111
40	50,5 (1.988)	2 5/16"-16UN-2A	76,00 (2.992)	140

* Weight without insert & contact

mm / (inch)

Receptacles - SRC

STANDARD

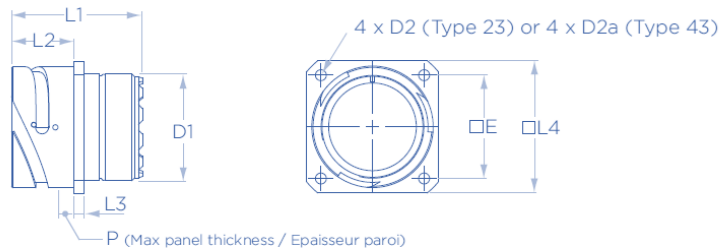
23

This square receptacle with a UNEF back thread and o'ring allows you to use either a straight or angled backshell. It is equipped with fixing holes to enable mounting from the front.

WITH THREADING FIXING HOLES

43

This square receptacle has a UNEF back thread and an o' ring allows you to use either a straight or angled backshells. It is equipped with threaded fixing holes to enable mounting from the rear.



Shell Size	L1	L2	L3	L4	E	D1	D2a (Type 43)	D2 (Type 23)	P*	** Weight (g)
16S	40,5 (1.594)	18,2 (0.716)	3,2 (0.126)	32,5 (1.279)	24,6 (0.968)	7/8"-20UNEF-2A	M4x0,7	3,2 (0.125)	5 (0.197)	24
18	50,5 (1.988)	23,05 (0.907)	4 (0.157)	35,00 (1.377)	27 (1.062)	1"-20UNEF-2A	M4x0,7	3,2 (0.125)	5 (0.197)	33
20	50,5 (1.988)	23,05 (0.907)	4 (0.157)	38,00 (1.496)	29,40 (1.157)	1 1/8"-18UNEF-2A	M4x0,7	3,2 (0.125)	5 (0.197)	39
22	50,5 (1.988)	23,05 (0.907)	4 (0.157)	41,00 (1.614)	31,80 (1.251)	1 1/4"-18UNEF-2A	M4x0,7	3,2 (0.125)	5 (0.197)	44
24	50,5 (1.988)	23,05 (0.907)	4 (0.157)	44,50 (1.751)	34,90 (1.374)	1 3/8"-18UNEF-2A	M4x0,7	3,7 (0.145)	5 (0.197)	53
28	50,5 (1.988)	24,05 (0.946)	4 (0.157)	50,80 (1.999)	39,70 (1.562)	1 5/8"-18UNEF-2A	M5x0,8	3,7 (0.145)	5 (0.197)	66
32	50,5 (1.988)	24,05 (0.946)	4 (0.157)	57,00 (2.244)	44,50 (1.751)	1 7/8"-16UN-2A	M5x0,8	4,3 (0.169)	5 (0.197)	81
36	50,5 (1.988)	24,05 (0.946)	4 (0.157)	63,50 (2.499)	49,20 (1.937)	2 1/16"-16UNS-2A	M5x0,8	4,3 (0.169)	6 (0.236)	96
40	50,5 (1.988)	24,05 (0.946)	4 (0.157)	69,90 (2.751)	55,50 (2.185)	2 5/16"-16UN-2A	M5x0,8	4,3 (0.169)	6 (0.236)	109

* To be checked depending on screw type

** Weight without insert & contact

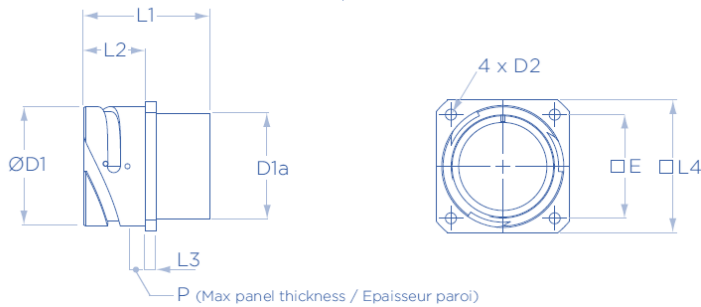
mm / (inch)

Square Flange Receptacles - SRC

WITHOUT BACK THREAD

03

This square flange receptacle without back thread (not possible to adapt a rear backshell) can be mounted onto a watertight box. It is equipped with fixing holes to enable mounting from the front.



Shell Size	L1	L2	L3	L4	E	D1	D1a	D2	P*	** Weight (g)
16S	40 (1.574)	18,20 (0.716)	3,2 (0.126)	32,50 (1.279)	24,60 (0.968)	27,5 (1.082)	22,40 (0.881)	3,2 (0.126)	5 (0.197)	23
18	49 (1.929)	23,05 (0.907)	4 (0.157)	35,00 (1.377)	27,00 (1.062)	31 (1.220)	25,60 (1.007)	3,2 (0.125)	5 (0.197)	33
20	49 (1.929)	23,05 (0.907)	4 (0.157)	38,00 (1.496)	29,40 (1.157)	34 (1.338)	29,00 (1.141)	3,2 (0.125)	5 (0.197)	40
22	49 (1.929)	23,05 (0.907)	4 (0.157)	41,00 (1.614)	31,80 (1.251)	37,5 (1.476)	32,60 (1.267)	3,2 (0.125)	5 (0.197)	44
24	49 (1.929)	23,05 (0.907)	4 (0.157)	44,50 (1.751)	34,90 (1.374)	41 (1.614)	35,30 (1.389)	3,7 (0.145)	5 (0.197)	54
28	49 (1.929)	24,05 (0.946)	4 (0.157)	50,80 (1.999)	39,70 (1.562)	47 (1.850)	41,40 (1.629)	3,7 (0.145)	5 (0.197)	64
32	49 (1.929)	24,05 (0.946)	4 (0.157)	57,00 (2.244)	44,50 (1.751)	53,5 (2.106)	47,80 (1.881)	4,3 (0.169)	5 (0.197)	82
36	49 (1.929)	24,05 (0.946)	4 (0.157)	63,50 (2.499)	49,20 (1.937)	60 (2.362)	54,10 (2.129)	4,3 (0.169)	6 (0.236)	105
40	49 (1.929)	24,05 (0.946)	4 (0.157)	69,90 (2.751)	55,50 (2.185)	65,5 (2.578)	59,00 (2.322)	4,3 (0.169)	6 (0.236)	107

* To be checked depending on screw type

** Weight without insert & contact

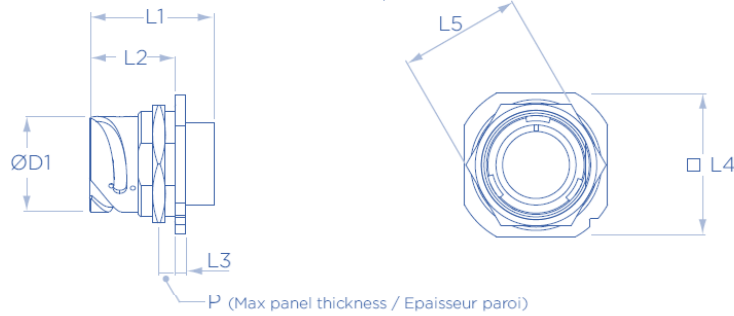
mm / (inch)

Receptacles - SRC

JAM NUT

04

This round flange receptacle without back thread (not possible to adapt a rear backshell) with nut and panel sealing gasket, can be mounted onto a watertight box.



Panel gasket included

Shell Size	L1	L2	L3	L4	L5	ØD1	P	* Weight (g)
16S	39 (1.535)	27 (1.062)	4 (0.157)	44,5 (1.751)	38 (1.496)	27,5 (1.082)	4 (0.157)	44
18	49 (1.929)	34 (1.338)	4 (0.157)	47,5 (1.870)	40 (1.574)	31 (1.220)	6 (0.236)	63
20	49 (1.929)	34 (1.338)	4 (0.157)	51 (2.007)	44 (1.732)	34 (1.338)	6 (0.236)	74
22	49 (1.929)	34 (1.338)	4 (0.157)	54 (0.125)	46 (1.811)	37,5 (1.476)	6 (0.236)	78
24	49 (1.929)	34 (1.338)	4 (0.157)	57 (2.244)	51 (2.007)	41 (1.614)	6 (0.236)	98
28	49 (1.929)	35 (1.377)	5,6 (0.220)	63,5 (2.499)	56 (2.204)	47 (1.850)	6 (0.236)	120
32	50 (1.968)	35 (1.377)	5,6 (0.220)	70 (2.755)	62 (2.440)	53,5 (2.106)	6 (0.236)	150
36	50 (1.968)	35 (1.377)	5,6 (0.220)	76 (2.992)	71 (2.795)	60 (2.362)	6 (0.236)	185
40	50 (1.968)	35 (1.377)	5,6 (0.220)	83,5 (3.287)	75 (2.952)	65,5 (2.578)	6 (0.236)	195

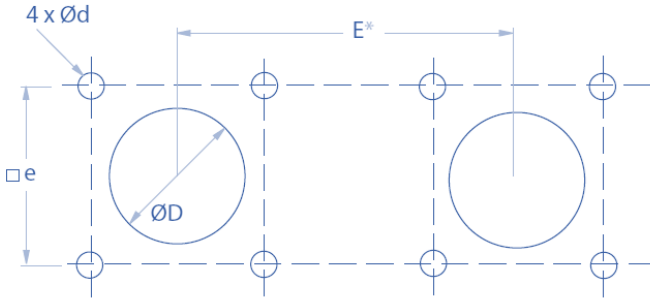
* Weight without insert & contact

mm / (inch)

Panel Cut Out - SRC

RECEPTACLES

03 23



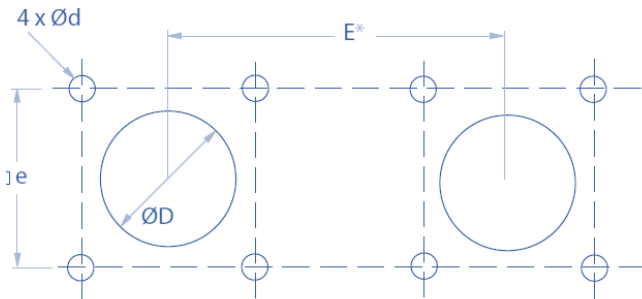
* Minimal distance between two identical receptacles

Shell Size	e	ØD	Ød	E*
16S	24,6 (0.968)	28,3 (1.114)	3,4 (0.134)	37 (1.456)
18	27,0 (1.062)	31,7 (1.248)	3,4 (0.134)	39 (1.535)
20	29,4 (1.157)	35 (1.378)	3,4 (0.134)	42 (1.654)
22	31,8 (1.252)	38,3 (1.508)	3,4 (0.134)	46 (1.811)
24	34,9 (1.374)	41,8 (1.646)	3,9 (0.154)	49 (1.929)
28	39,7 (1.562)	47,6 (1.874)	3,9 (0.154)	55 (2.165)
32	44,5 (1.752)	54,3 (2.138)	4,5 (0.177)	62 (2.441)
36	49,2 (1.937)	60,5 (2.382)	4,5 (0.177)	70 (2.756)
40	55,5 (2.185)	66,5 (2.618)	4,5 (0.177)	78 (3.071)

mm / (inch)

RECEPTACLES

43



* Minimal distance between two identical receptacles

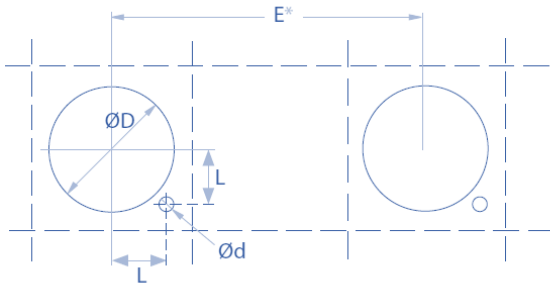
Shell Size	e	ØD	Ød	E*
16S	24,6 (0.968)	28,3 (1.114)	4,5 (0.177)	37 (1.456)
18	27,0 (1.062)	31,7 (1.248)	4,5 (0.177)	39 (1.535)
20	29,4 (1.157)	35 (1.378)	4,5 (0.177)	42 (1.654)
22	31,8 (1.252)	38,3 (1.508)	4,5 (0.177)	46 (1.811)
24	34,9 (1.374)	41,8 (1.646)	4,5 (0.177)	49 (1.929)
28	39,7 (1.562)	47,6 (1.874)	5,5 (0.216)	55 (2.165)
32	44,5 (1.752)	54,3 (2.138)	5,5 (0.216)	62 (2.441)
36	49,2 (1.937)	60,5 (2.382)	5,5 (0.216)	70 (2.756)
40	55,5 (2.185)	66,5 (2.618)	5,5 (0.216)	78 (3.071)

mm / (inch)

Panel Cut Out - SRC

RECEPTACLES

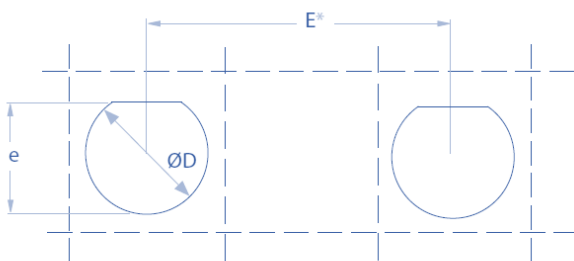
04



* Minimal distance between two identical receptacles

Shell Size	L	ØD	Ød	E*
16S	18,1 (0.712)	32 (1.259)	3,5 (0.138)	47 (1.850)
18	19,2 (0.756)	35,1 (1.381)	3,5 (0.138)	50 (1.968)
20	20,4 (0.803)	38,3 (1.508)	3,5 (0.138)	53 (2.086)
22	22,8 (0.898)	41,5 (1.634)	4 (0.157)	57 (2.244)
24	22,8 (0.898)	44,7 (1.760)	4 (0.157)	60 (2.362)
28	25,1 (0.988)	51 (2.007)	4 (0.157)	66 (2.598)
32	27,6 (1.087)	57,4 (2.260)	4,5 (0.177)	72 (2.834)
36	29,8 (1.173)	63,7 (2.508)	4,5 (0.177)	79 (3.110)
40	32,5 (1.279)	69,9 (2.752)	4,5 (0.177)	86 (3.385)

mm / (inch)



* Minimal distance between two identical receptacles

Shell Size	e	ØD	E*
16S	30,9 (1.216)	32 (1.259)	47 (1.850)
18	33,8 (1.331)	35,1 (1.381)	50 (1.968)
20	36,9 (1.453)	38,3 (1.508)	53 (2.086)
22	40 (1.575)	41,5 (1.634)	57 (2.244)
24	43,6 (1.716)	44,7 (1.760)	60 (2.362)
28	49,5 (1.948)	51 (2.007)	66 (2.598)
32	56,2 (2.215)	57,4 (2.260)	72 (2.834)
36	62,5 (2.461)	63,7 (2.508)	79 (3.110)
40	69,3 (2.728)	69,9 (2.752)	86 (3.385)

mm / (inch)

Numbering system - SRC

SRC A RU K P 22 -14P

SHELL TYPES - See pages 3-4

EA - BR - BA - RD - DA - BD - DB - RM - RA - BM - RB - RU - UA - BU - UB

BACKSHELL CAPACITIES

O Backnut **EA** & Shielding Adaptor **BR**

Other backshells

D to T Watertight backshells - pages 26-29

C to L Female backshells with ISO thread - pages 30-33

C to X Male backshells with UNEF thread - pages 34-37

SHELL PLATING

P Black passivation - 250 H Salt Spray - Conductive

X Black anodizing - 500 H Salt Spray - Non Conductive

SHELL SIZES

16S - 18 - 20 - 22 - 24 - 28 - 32 - 36 - 40

GROMMETS

XXXX With grommet - See below table

-000 With grommet

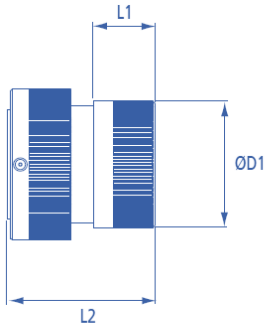
Shell Size	Grommet	
	Male	Female
16S	-1P	-1S
18	-12P -19P	-12S -19S
20	-15P	-15S
22	-14P	-14S
24	-10P	-10S
28	-21P	-21S
32	A13P	A13S
36	A22P	A22S
40	A35P A60P	A35S A60S

Backshells : EA Type - SRC

BACKNUT

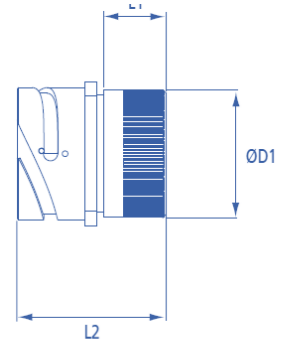
PLUG

26 **36**
p. 16 p. 16



RECEPTACLE

23 **43**
p. 17 p. 17



Shell Size	Backshell Weight (g)	L1	L2	ØD1
16S	11	20 (0.787)	44 (1.732)	27 (1.062)
18	13	22 (0.866)	52,5 (2.066)	30 (1.181)
20	15	22 (0.866)	52,5 (2.066)	33,4
22	18	22 (0.866)	52,5 (2.066)	37 (1.456)
24	21	22 (0.866)	52,5 (2.066)	40 (1.574)
28	18	22 (0.866)	52,5 (2.066)	45 (1.771)
32	26	22 (0.866)	52,5 (2.066)	52 (2.047)
36	27	22 (0.866)	52,5 (2.066)	57 (2.244)
40	31	22 (0.866)	52,5 (2.066)	63 (2.480)

mm / (inch)

Straight Backshells : BR Type - SRC

SHIELDING ADAPTOR

PLUG

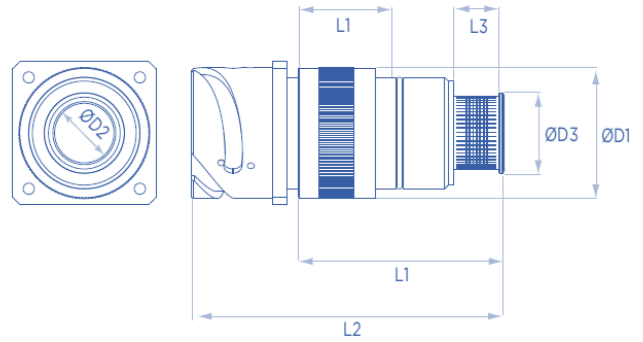
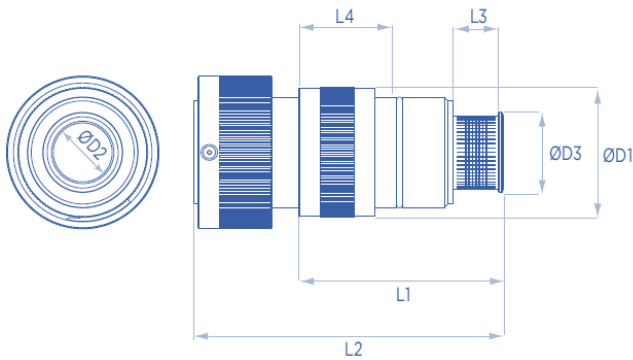
26 **36**

p. 16 p. 16

RECEPTACLE

23 **43**

p. 17 p. 17



Shell Size	Backshell Weight (g)	ØD1	ØD2	ØD3	L1	L2	L3	L4
16S	27	27,5 (1.083)	8,5 (0.334)	12 (0.472)	23 (0.905)	76 (2.992)	13 (0.512)	23 (0.905)
18	33	29,5 (1.161)	10,5 (0.413)	16 (0.630)	24,5 (0.964)	89,5 (3.523)	14,5 (0.571)	24,5 (0.964)
20	43	34 (1.338)	13,5 (0.531)	18 (0.708)	24,5 (0.964)	89,5 (3.523)	14,5 (0.571)	24,5 (0.964)
22	49	37,5 (1.476)	17 (0.669)	22 (0.866)	24,5 (0.964)	89,5 (3.523)	14,5 (0.571)	24,5 (0.964)
24	53	39,5 (1.555)	19 (0.748)	25 (0.984)	24,5 (0.964)	89,5 (3.523)	14,5 (0.571)	24,5 (0.964)
28	66	44,5 (1.752)	21,5 (0.846)	27,5 (1.083)	24,5 (0.964)	89,5 (3.523)	14,5 (0.571)	24,5 (0.964)
32	84	53 (2.087)	30 (1.181)	36 (1.417)	24,5 (0.964)	89,5 (3.523)	14,5 (0.571)	24,5 (0.964)
36	91	57,5 (2.264)	35 (1.378)	40 (1.575)	24,5 (0.964)	89,5 (3.523)	14,5 (0.571)	24,5 (0.964)
40	105	64 (2.520)	41 (1.614)	47 (1.850)	24,5 (0.964)	89,5 (3.523)	14,5 (0.571)	24,5 (0.964)

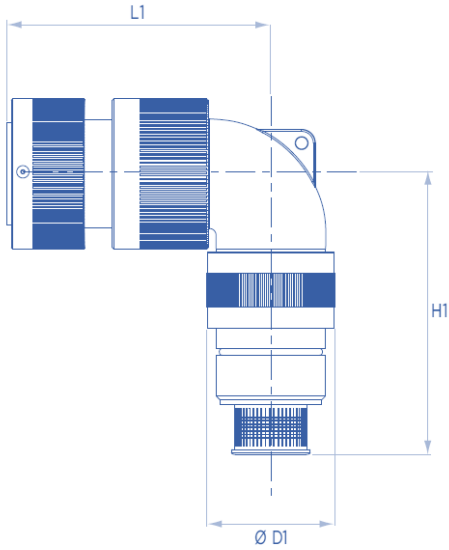
mm / (inch)

90° Angled Backshells : BA Type - SRC

SHIELDING ADAPTOR

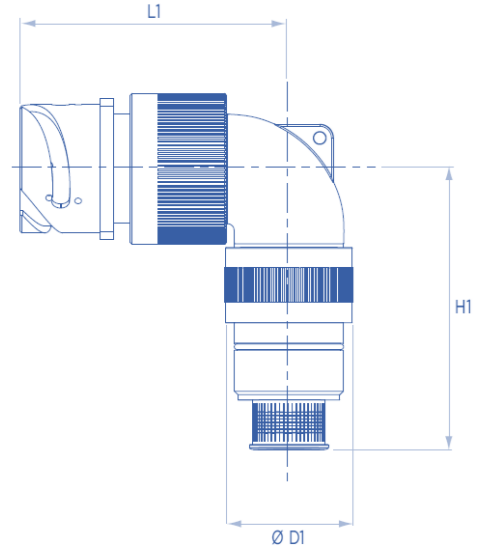
PLUG

26 **36**
p. 16 p. 16



RECEPTACLE

23 **43**
p. 17 p. 17



Shell Size	Backshell Weight (g)	ØD1	L1	H1
16S	97	27,5 (1.083)	65 (2.559)	71 (2.795)
18	125	29,5 (1.161)	75,5 (2.972)	79 (3.110)
20	148	34 (1.338)	77 (3.031)	80,5 (3.169)
22	163	37,5 (1.476)	78,5 (3.091)	82 (3.228)
24	191	39,5 (1.555)	80 (3.150)	85 (3.346)
28	226	44,5 (1.752)	83,5 (3.287)	85,5 (3.366)
32	316	53 (2.087)	86,5 (3.406)	91 (3.583)
36	366	57,5 (2.264)	89 (3.504)	95 (3.740)
40	434	64 (2.520)	92 (3.622)	98,5 (3.878)

mm / (inch)

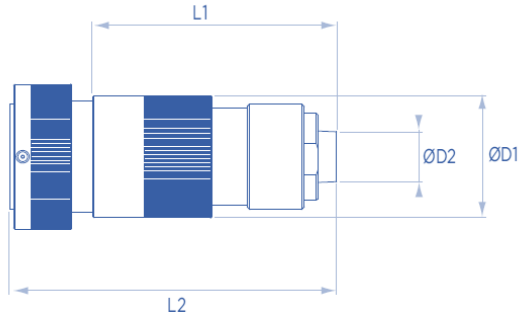
See page 24 regarding D2, D3 & L3 dimensions (BR Backshell)

Straight Backshells : BA Type - SRC

WATERTIGHT BACKSHELL

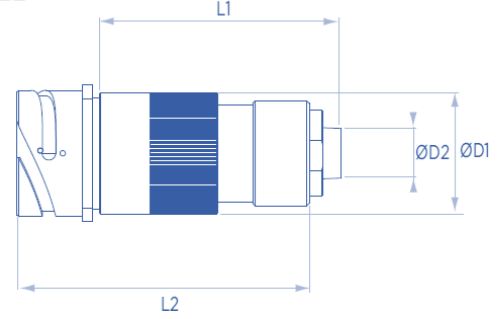
PLUG

26 **36**
p. 16 p. 16



RECEPTACLE

23 **43**
p. 17 p. 17



Shell Size	Backshell Weight (g)	ØD1	L1	L2	Ø D2 (Cable Diameter Ranges)										
					5,5	7,5	9,5	12	13,5	16	16,5	19,5	23	31	
					(0.216)	(0.295)	(0.374)	(0.472)	(0.531)	(0.630)	(0.649)	(0.768)	(0.905)	(1.220)	
16S	54	28 (1.102)	81 (3.188)	104 (4.094)		E									
18	49	28 (1.102)	81 (3.188)	110,5 (4.350)		E									
20	85	39 (1.535)	81 (3.188)	110,5 (4.350)	D	E	F	H	L	M					
22	88	39 (1.535)	81 (3.188)	115,5 (4.547)	D	E	F	H	L	M					
24	88	39 (1.535)	80 (3.149)	113,5 (4.468)	D	E	F	H	L	M					
28	127	50 (1.968)	93 (3.661)	120,5 (4.744)	D	E	F	H	L	M	N	P	Q		
32	201	64 (2.519)	93 (3.661)	120,5 (4.744)		E	F	H	L	M	N	P	Q	T	
36	213	64 (2.519)	93 (3.661)	120,5 (4.744)			F	H	L	M	N	P	Q	T	
40	231	64 (2.519)	93 (3.661)	120,5 (4.744)							N	P	Q	T	

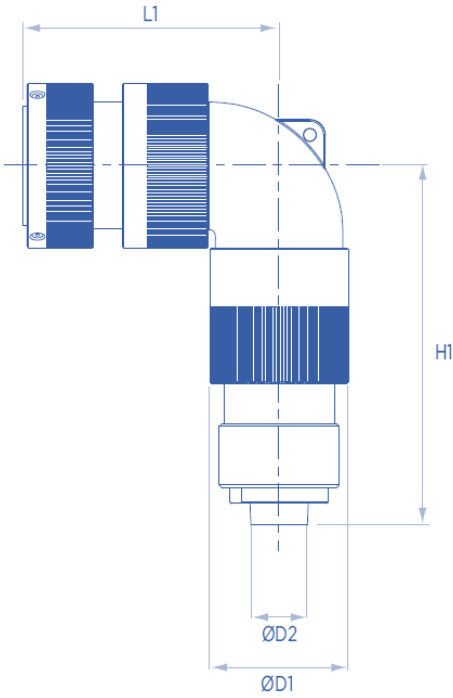
mm / (inch)

90° Angled Backshells : RD Type - SRC

WATERTIGHT BACKSHELL

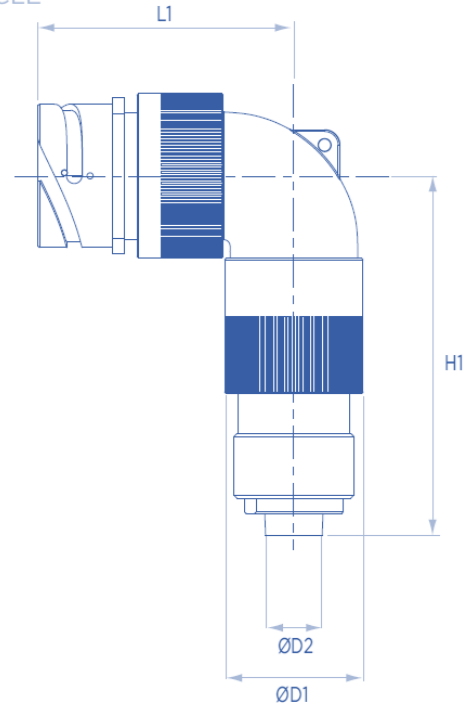
PLUG

26 **36**
p. 16 p. 16



RECEPTACLE

23 **43**
p. 17 p. 17



Shell Size	Backshell Weight (g)	ØD1	L1	H1	Ø D2 (Cable Diameter Ranges)										
					5,5 (0.216)	7,5 (0.295)	9,5 (0.374)	12 (0.472)	13,5 (0.531)	16 (0.630)	16,5 (0.649)	19,5 (0.768)	23 (0.905)	31 (1.220)	
					8 (0.315)	10 (0.394)	11,5 (0.452)	13 (0.512)	17 (0.669)	21 (0.826)	20 (0.787)	23,5 (0.925)	28 (1.102)	33 (1.299)	
16S	97	28 (1.102)	65 (2.559)	86 (3.386)		E									
18	112	28 (1.102)	75,5 (2.972)	89 (3.503)		E									
20	155	39 (1.535)	77 (3.031)	90,5 (3.563)	D	E	F	H	L	M					
22	161	39 (1.535)	78,5 (3.091)	92 (3.622)	D	E	F	H	L	M					
24	189	39 (1.535)	80 (3.150)	94 (3.701)	D	E	F	H	L	M					
28	223	50 (1.968)	83,5 (3.287)	96,5 (3.799)	D	E	F	H	L	M	N	P	Q		
32	333	64 (2.519)	86,5 (3.406)	102 (4.016)		E	F	H	L	M	N	P	Q	T	
36	387	64 (2.519)	89 (3.503)	106 (4.173)			F	H	L	M	N	P	Q	T	
40	443	64 (2.519)	92 (3.622)	109,5 (4.311)							N	P	Q	T	

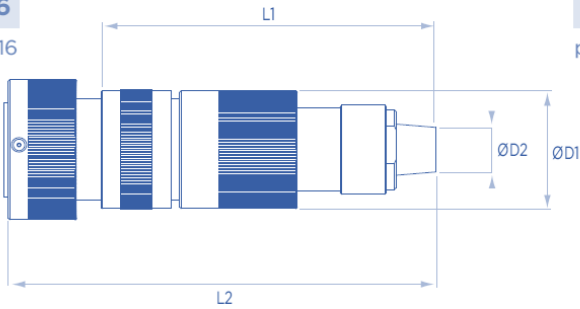
mm / (inch)

Straight Backshells : BD Type - SRC

WATERTIGHT BACKSHELL

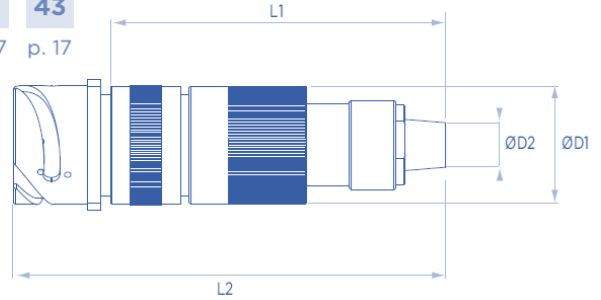
PLUG

26 **36**
p. 16 p. 16



RECEPTACLE

23 **43**
p. 17 p. 17



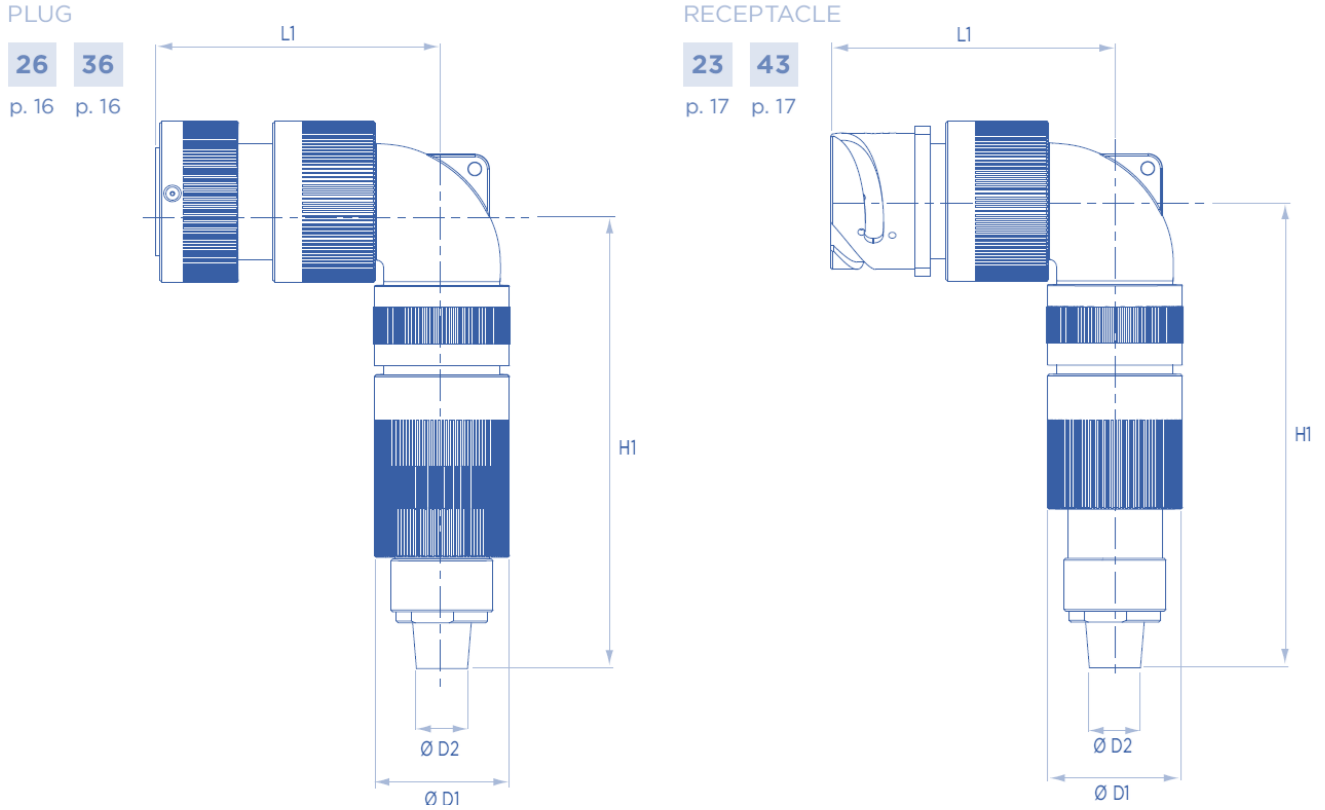
Shell Size	Backshell Weight (g)	ØD1	L1	L2	Ø D2 (Cable Diameter Ranges)															
					5,5 (0.216) 8 (0.315)	7,5 (0.295) 10 (0.394)	9,5 (0.374) 11,5 (0.452)	12 (0.472) 13 (0.512)	13,5 (0.531) 17 (0.669)	16 (0.630) 21 (0.826)	16,5 (0.649) 20 (0.787)	19,5 (0.768) 23,5 (0.925)	23 (0.905) 28 (1.102)	31 (1.220) 33 (1.299)						
16S	70	28 (1.102)	99,5 (3.917)	123,5 (4.862)		E														
18	82	30 (1.181)	103 (4.055)	133,5 (5.256)		E														
20	128	39 (1.535)	103 (4.055)	133,5 (5.256)	D	E	F	H	L	M										
22	136	39 (1.535)	108 (4.252)	138,5 (5.453)	D	E	F	H	L	M										
24	140	40 (1.574)	108 (4.252)	136,5 (5.708)	D	E	F	H	L	M										
28	154	50 (1.968)	113 (4.449)	143,5 (5.650)	D	E	F	H	L	M	N	P	Q							
32	285	64 (2.519)	113 (4.449)	143,5 (5.650)		E	F	H	L	M	N	P	Q	T						
36	304	64 (2.519)	113 (4.449)	143,5 (5.650)			F	H	L	M	N	P	Q	T						
40	336	64 (2.519)	113 (4.449)	143,5 (5.650)							N	P	Q	T						

mm / (inch)

See page 24 regarding D2, D3 & L3 dimensions (BR Backshell)

90° Angled Backshell : DB Type - SRC

WATERTIGHT BACKSHELL



Shell Size	Backshell Weight (g)	ØD1	L1	H1	Ø D2 (Cable Diameter Ranges)										
					5,5 (0.216) 8 (0.315)	7,5 (0.295) 10 (0.394)	9,5 (0.374) 11,5 (0.452)	12 (0.472) 13 (0.512)	13,5 (0.531) 17 (0.669)	16 (0.630) 21 (0.826)	16,5 (0.649) 20 (0.787)	19,5 (0.768) 23,5 (0.925)	23 (0.905) 28 (1.102)	31 (1.220) 33 (1.299)	
16S	130	27 (1.062)	65 (2.559)	118,5 (4.665)		E									
18	157	30 (1.181)	75,5 (2.972)	123 (4.843)		E									
20	216	39 (1.535)	77 (3.031)	124,5 (4.902)	D	E	F	H	L	M					
22	227	39 (1.535)	78,5 (3.091)	131 (5.157)	D	E	F	H	L	M					
24	256	40 (1.574)	80 (3.150)	132 (5.197)	D	E	F	H	L	M					
28	318	50 (1.968)	83,5 (3.287)	139,5 (5.492)	D	E	F	H	L	M	N	P	Q		
32	468	64 (2.519)	86,5 (3.406)	145 (5.709)		E	F	H	L	M	N	P	Q	T	
36	536	64 (2.519)	89 (3.503)	149 (5.866)			F	H	L	M	N	P	Q	T	
40	616	64 (2.519)	92 (3.622)	152,5 (6.004)							N	P	Q	T	

mm / (inch)

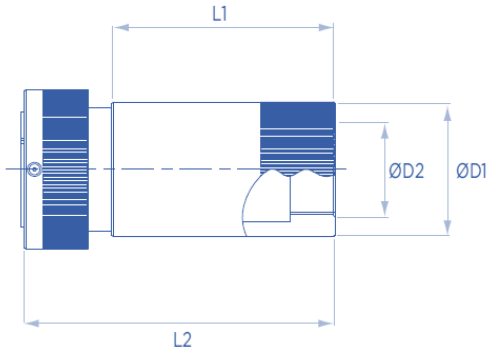
See page 24 regarding D2, D3 & L3 dimensions (BR Backshell)

Straight Backshell : RM Type - SRC

ISO THREAD

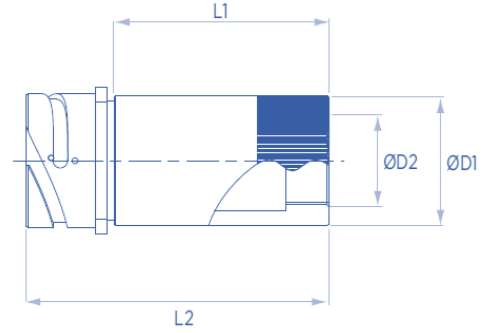
PLUG

26 **36**
p. 16 p. 16



RECEPTACLE

23 **43**
p. 17 p. 17



Shell Size	Backshell Weight (g)	L1	L2	ØD1	ØD2 ISO Thread						
					M12 x 1,5	M16 x 1,5	M20 x 1,5	M25 x 1,5	M32 x 1,5	M40 x 1,5	M50 x 1,5
16S	34	50 (1.968)	74 (2.913)	27 (1.062)	C	D	E				
18	65	65 (2.559)	95,5 (3.760)	30 (1.181)	C	D	E	G			
20	84	65 (2.559)	95,5 (3.760)	34 (1.338)	C	D	E	G			
22	97	65 (2.559)	95,5 (3.760)	37 (1.457)	C	D	E	G	H		
24	106	65 (2.559)	93,5 (3.681)	40 (1.575)		D	E	G	H		
28	139	75 (2.953)	105,5 (4.154)	45 (1.772)			E	G	H	K	
32	200	75 (2.953)	105,5 (4.154)	53 (2.087)			E	G	H	K	
36	218	75 (2.953)	105,5 (4.154)	57 (2.244)				G	H	K	L
40	262	75 (2.953)	105,5 (4.154)	64 (2.520)				G	H	K	L

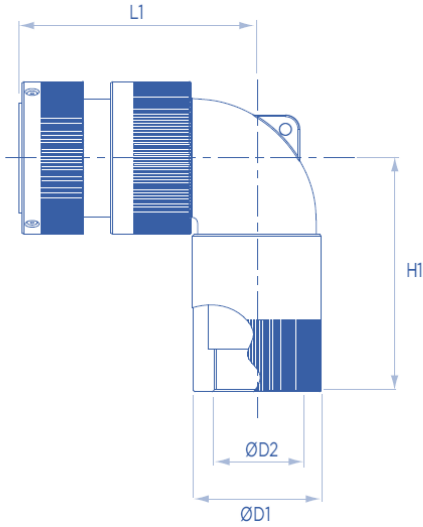
mm / (inch)

90° Angled Backshell : RA Type - SRC

ISO THREAD

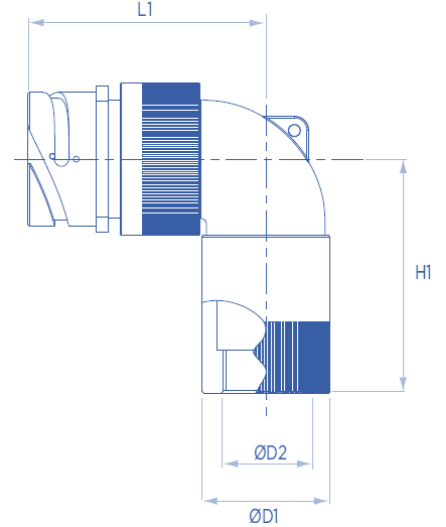
PLUG

26 **36**
p. 16 p. 16



RECEPTACLE

23 **43**
p. 17 p. 17



Shell Size	Backshell Weight (g)	L1	H1	ØD1	ØD2 ISO Thread						
					M12 x 1,5	M16 x 1,5	M20 x 1,5	M25 x 1,5	M32 x 1,5	M40 x 1,5	M50 x 1,5
16S	86	65 (2.559)	64 (2.520)	27 (1.062)	C	D	E				
18	125	75,5 (2.972)	70 (2.756)	30 (1.181)	C	D	E	G			
20	149	77 (3.031)	71,5 (2.815)	34 (1.338)	C	D	E	G			
22	165	78,5 (3.091)	73 (2.874)	37 (1.457)	C	D	E	G	H		
24	195	80 (3.150)	74 (2.913)	40 (1.575)		D	E	G	H		
28	239	83,5 (3.287)	81,5 (3.228)	45 (1.772)			E	G	H	K	
32	334	86,5 (3.406)	87 (3.425)	53 (2.087)			E	G	H	K	
36	396	89 (3.504)	91 (3.582)	57 (2.244)				G	H	K	L
40	480	92 (3.622)	94,5 (3.720)	64 (2.520)				G	H	K	L

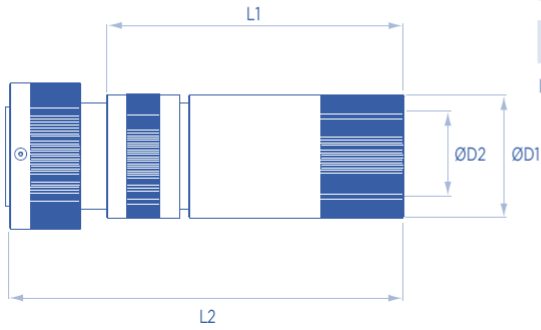
mm / (inch)

Straight Backshell : BM Type - SRC

ISO THREAD

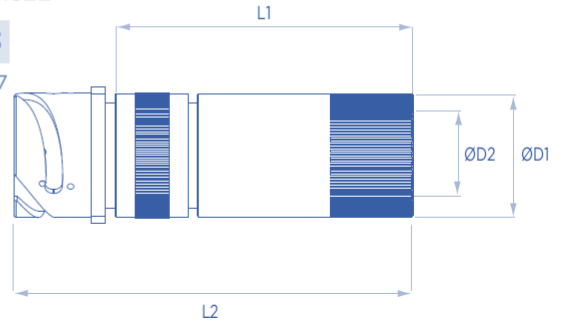
PLUG

26 **36**
p. 16 p. 16



RECEPTACLE

23 **43**
p. 17 p. 17



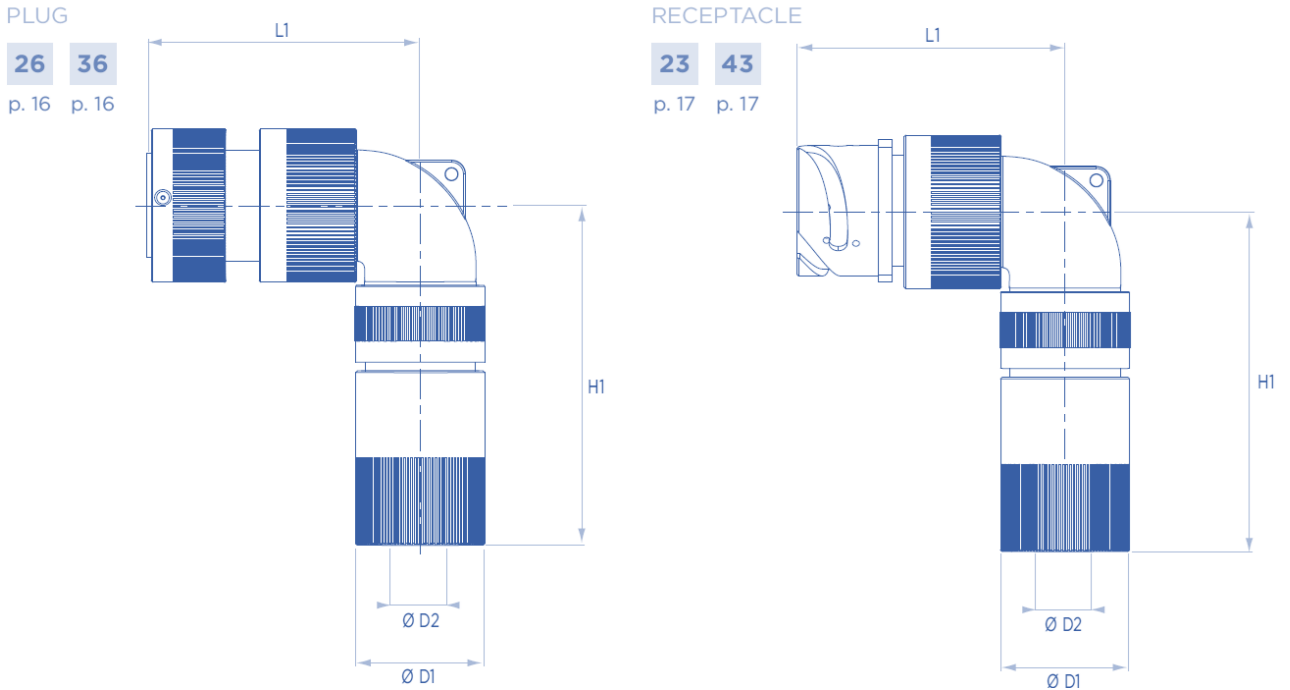
Shell Size	Backshell Weight (g)	L1	L2	ØD1	ØD2 ISO Thread						
					M12 x 1,5	M16 x 1,5	M20 x 1,5	M25 x 1,5	M32 x 1,5	M40 x 1,5	M50 x 1,5
16S	61	64,5 (2.539)	88,5 (3.484)	27 (1.062)	C	D	E				
18	98	73 (2.874)	103,5 (4.075)	30 (1.181)	C	D	E	G			
20	127	73 (2.874)	103,5 (4.075)	34 (1.338)	C	D	E	G			
22	146	73 (2.874)	103,5 (4.075)	37 (1.457)	C	D	E	G	H		
24	159	73 (2.874)	101,5 (3.996)	40 (1.575)		D	E	G	H		
28	205	78 (3.071)	108,5 (4.272)	45 (1.772)			E	G	H	K	
32	284	78 (3.071)	108,5 (4.272)	53 (2.087)			E	G	H	K	
36	309	78 (3.071)	108,5 (4.272)	57 (2.244)				G	H	K	L
40	367	78 (3.071)	108,5 (4.272)	64 (2.520)				G	H	K	L

mm / (inch)

See page 24 regarding D2, D3 & L3 dimensions (BR Backshell)

90° Angled Backshell : RB Type - SRC

FEMALE BACKSHELL WITH ISO THREAD



Shell Size	Backshell Weight (g)	L1	H1	ØD1	ØD2 ISO Thread						
					M12 x 1,5	M16 x 1,5	M20 x 1,5	M25 x 1,5	M32 x 1,5	M40 x 1,5	M50 x 1,5
16S	115	65 (2.559)	83,5 (3.287)	27 (1.062)	C	D	E				
18	173	75,5 (2.972)	93 (3.661)	30 (1.181)	C	D	E	G			
20	212	77 (3.031)	94,5 (3.720)	34 (1.338)	C	D	E	G			
22	236	78,5 (3.091)	96 (3.780)	37 (1.457)	C	D	E	G	H		
24	274	80 (3.150)	97 (3.819)	40 (1.575)		D	E	G	H		
28	336	83,5 (3.287)	104,5 (4.114)	45 (1.772)			E	G	H	K	
32	371	86,5 (3.406)	110 (4.331)	53 (2.087)			E	G	H	K	
36	437	89 (3.504)	114 (4.488)	57 (2.244)				G	H	K	L
40	516	92 (3.622)	117,5 (4.626)	64 (2.520)				G	H	K	L

mm / (inch)

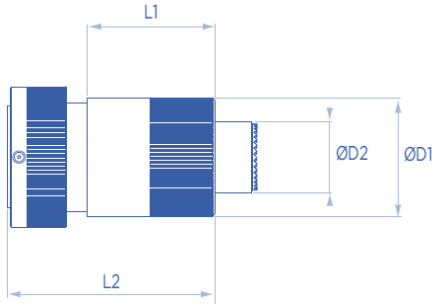
See page 24 regarding D2, D3 & L3 dimensions (BR Backshell)

Straight Backshell : RU Type - SRC

UNEF THREAD

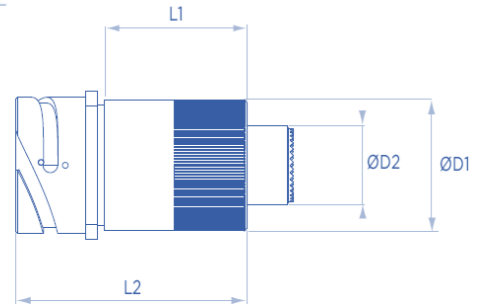
PLUG

26 **36**
p. 16 p. 16



RECEPTACLE

23 **43**
p. 17 p. 17



Shell Size	Backshell Weight (g)	L1	L2	ØD1	ØD2 UNEF Thread								
					1/2"-20	5/8"-24	3/4"-20	7/8"-20	1"-20	1 1/16"-18	1 3/16"-18	1 5/16"-18	1 7/16"-18
16S	26	34 (1.338)	60 (2.362)	27 (1.062)	C	F	H	K	M	N			
18	30	34 (1.338)	69,5 (2.736)	30 (1.181)	C	F	H	K	M	N	R		
20	36	34 (1.338)	69,5 (2.736)	33,4 (1.362)	C	F	H	K	M	N	R		
22	40	34 (1.338)	69,5 (2.736)	36,6 (1.314)			H	K	M	N	R		
24	45	34 (1.338)	69,5 (2.736)	40 (1.574)			H	K	M	N	R		
28	76	49 (1.929)	79,5 (3.130)	45 (1.771)			H	K	M	N	R	U	X
32	104	49 (1.929)	79,5 (3.130)	52,4 (2.063)				K	M	N	R	U	X
36	114	49 (1.929)	79,5 (3.130)	56,8 (2.236)					M	N	R	U	X
40	131	49 (1.929)	79,5 (3.130)	63,4 (2.496)								U	X

mm / (inch)

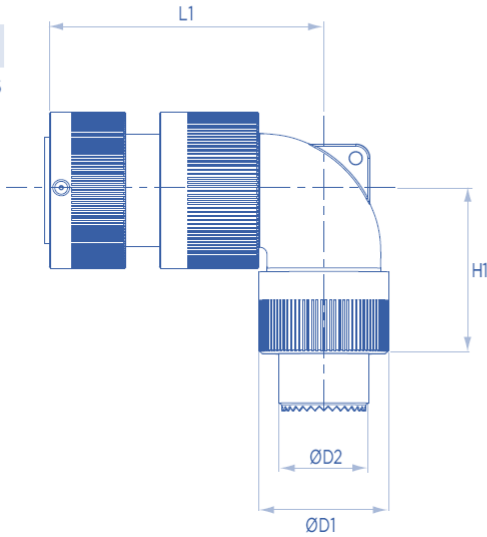
90° Angled Backshell : UA Type - SRC

UNEF THREAD

PLUG

26 **36**

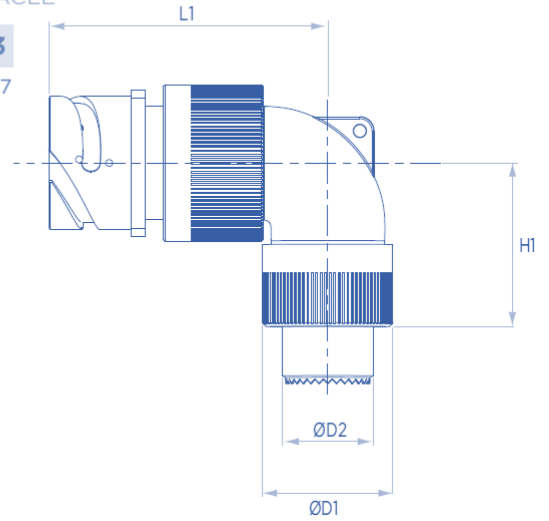
p. 16 p. 16



RECEPTACLE

23 **43**

p. 17 p. 17



Shell Size	Backshell Weight (g)	L1	L2	ØD1	ØD2 UNEF Thread									
					1/2"-20	5/8"-24	3/4"-20	7/8"-20	1"-20	1 1/16"-18	1 3/16"-18	1 5/16"-18	1 7/16"-18	
16S	70	65 (2.559)	40 (1.575)	27 (1.062)	C	F	H	K	M	N				
18	92	75,5 (2.972)	43 (1.693)	30 (1.181)	C	F	H	K	M	N	R			
20	106	77 (3.031)	44,5 (1.751)	33 (1.299)	C	F	H	K	M	N	R			
22	114	78,5 (3.091)	46 (1.811)	37 (1.456)			H	K	M	N	R			
24	139	80 (3.149)	47 (1.850)	40 (1.574)			H	K	M	N	R			
28	160	83,5 (3.287)	49,5 (1.949)	45 (1.772)			H	K	M	N	R	U	X	
32	222	86,5 (3.406)	55 (2.165)	52 (2.047)				K	M	N	R	U	X	
36	275	89 (3.503)	59 (2.323)	57 (2.244)					M	N	R	U	X	
40	329	92 (3.622)	62,5 (2.461)	63 (2.480)								U	X	

mm / (inch)

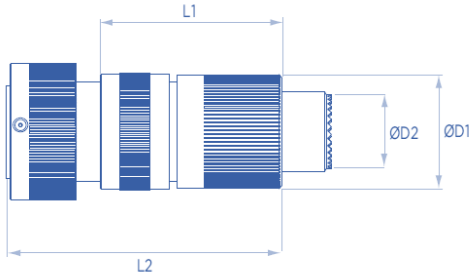
Straight Backshell : BU Type - SRC

UNEF THREAD

PLUG

26 **36**

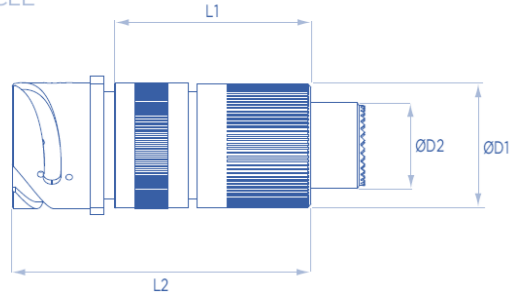
p. 16 p. 16



RECEPTACLE

23 **43**

p. 17 p. 17



Shell Size	Backshell Weight (g)	L1	L2	ØD1	ØD2 UNEF Thread								
					1/2"-20	5/8"-24	3/4"-20	7/8"-20	1"-20	1 1/16"-18	1 3/16"-18	1 5/16"-18	1 7/16"-18
16S	52	55,5 (2.185)	79,5 (3.130)	27 (1.063)	C	F	H	K	M	N			
18	63	62 (2.441)	92,5 (3.642)	30 (1.181)	C	F	H	K	M	N	R		
20	80	62 (2.441)	92,5 (3.642)	33 (1.299)	C	F	H	K	M	N	R		
22	90	62 (2.441)	92,5 (3.642)	37 (1.456)			H	K	M	N	R		
24	97	64 (2.520)	92,5 (3.642)	40 (1.574)			H	K	M	N	R		
28	142	72 (2.835)	102,5 (4.035)	45 (1.772)			H	K	M	N	R	U	X
32	188	72 (2.835)	102,5 (4.035)	52 (2.047)				K	M	N	R	U	X
36	205	72 (2.835)	102,5 (4.035)	57 (2.244)					M	N	R	U	X
40	236	72 (2.835)	102,5 (4.035)	63 (2.480)								U	X

mm / (inch)

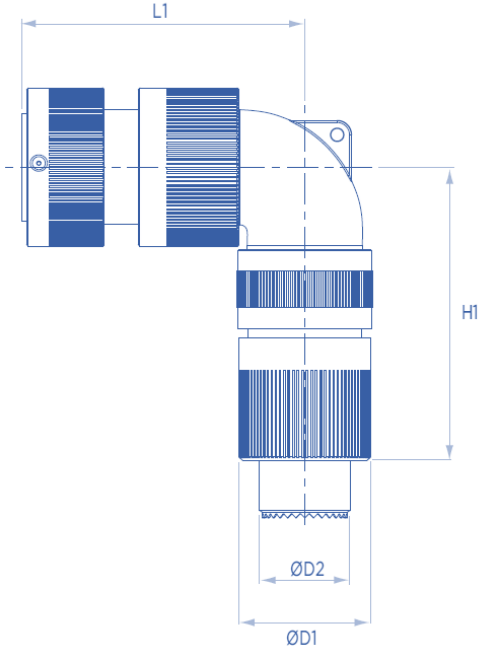
See page 24 regarding D2, D3 & L3 dimensions (BR Backshell)

90° Angled Backshell : UB Type - SRC

UNEF THREAD

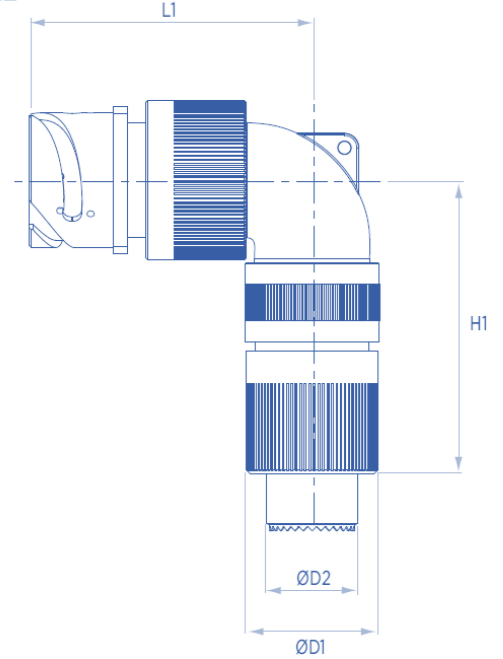
PLUG

26 **36**
p. 16 p. 16



RECEPTACLE

23 **43**
p. 17 p. 17



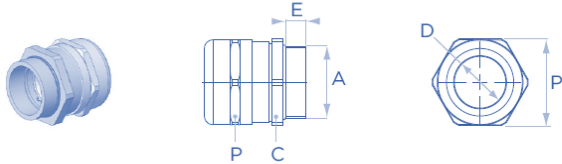
Shell Size	Backshell Weight (g)	L1	H1	ØD1	ØD2 UNEF Thread								
					1/2"-20	5/8"-24	3/4"-20	7/8"-20	1"-20	1 1/16"-18	1 3/16"-18	1 5/16"-18	1 7/16"-18
16S	112	65 (2.559)	74,5 (2.933)	27 (1.063)	C	F	H	K	M	N			
18	138	75,5 (2.972)	82 (3.228)	30 (1.181)	C	F	H	K	M	N	R		
20	164	77 (3.031)	83,5 (3.287)	33 (1.299)	C	F	H	K	M	N	R		
22	179	78,5 (3.091)	85 (3.346)	37 (1.456)			H	K	M	N	R		
24	212	80 (3.149)	88 (3.465)	40 (1.574)			H	K	M	N	R		
28	277	83,5 (3.287)	98,5 (3.878)	45 (1.772)			H	K	M	N	R	U	X
32	371	86,5 (3.406)	104 (4.094)	52 (2.047)				K	M	N	R	U	X
36	437	89 (3.503)	108 (4.252)	57 (2.244)					M	N	R	U	X
40	516	92 (3.622)	111,5 (4.390)	63 (2.480)								U	X

mm / (inch)

See page 24 regarding D2, D3 & L3 dimensions (BR Backshell)

Accessories - SRC

CABLE GLANDS



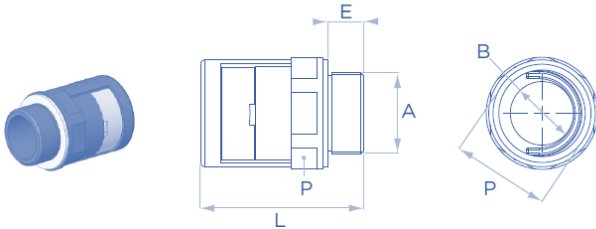
IP68
Material : Nickel plated brass

A	E	C	P	D	Part Number
M12 x 1,5	7 (0.275)	14 (0.551)	14 (0.551)	4 to 6 (0.16 to 0.24)	STD0401-0405AS
M16 x 1,5	7 (0.275)	17 (0.669)	14 (0.551)	4 to 6 (0.16 to 0.24)	STD0401-0406AS
M16 x 1,5	7 (0.275)	17 (0.669)	17 (0.669)	6 to 8 (0.24 to 0.31)	STD0401-0407AS
M20 x 1,5	7 (0.275)	22 (0.866)	20 (0.787)	7 to 10 (0.27 to 0.39)	STD0401-0372AS
M20 x 1,5	7 (0.275)	22 (0.866)	22 (0.866)	9 to 12 (0.35 to 0.47)	STD0401-0408AS
M25 x 1,5	8 (0.315)	26 (1.024)	24 (0.944)	11 to 14 (0.43 to 0.55)	STD0401-0409AS
M25 x 1,5	8 (0.315)	30 (1.181)	30 (1.181)	13 to 18 (0.51 to 0.71)	STD0401-0373AS
M32 x 1,5	8,5 (0.334)	33 (1.299)	30 (1.181)	13 to 18 (0.51 to 0.71)	STD0401-0374AS
M32 x 1,5	8,5 (0.334)	40 (1.574)	40 (1.574)	17 to 24 (0.67 to 0.94)	STD0401-0375AS
M40 x 1,5	8,5 (0.334)	42 (1.653)	40 (1.574)	17 to 24 (0.67 to 0.94)	STD0401-0390AS
M40 x 1,5	11 (0.433)	52 (2.047)	52 (2.047)	25 to 32 (0.98 to 1.26)	STD0401-0369AS

O'ring included

mm / (inch)

CONDUIT ADAPTORS



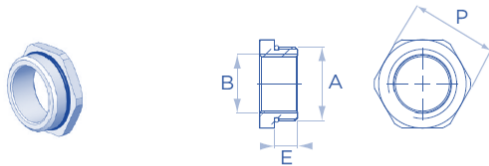
IP67
Material : Black Polyamide with metal insert

A	E	L	B	P	Conduit	Part Number
M12 x 1,5	5 (0.196)	37 (1.46)	5,7 (0.224)	19 (0.748)	10 / 12	STD0430-0106AS
M16 x 1,5	5 (0.196)	38 (1.496)	9,7 (0.381)	24 (0.944)	12 / 16	STD0430-0107AS
M20 x 1,5	6 (0.236)	45 (1.771)	13,7 (0.539)	30 (1.181)	17 / 20	STD0430-0108AS
M25 x 1,5	7 (0.275)	50 (1.968)	18,6 (0.732)	36 (1.417)	23 / 25	STD0430-0109AS
M32 x 1,5	13 (0.512)	56 (2.204)	24 (0.944)	36 (1.417)	23 / 25	STD0430-0112AS
M32 x 1,5	8 (0.315)	51 (2.007)	25,7 (1.011)	46 (1.811)	29 / 32	STD0430-0110AS
M40 x 1,5	8 (0.315)	65 (2.559)	33,4 (1.314)	55 (2.165)	36 / 40	STD0430-0111AS

Flat gasket included

mm / (inch)

REDUCERS



Material : Nickel plated brass

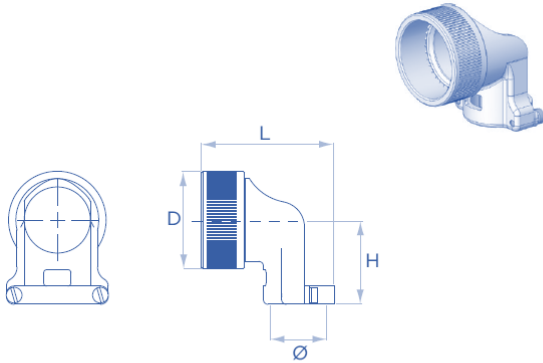
A	B	P	E	Part Number
M16 x 1,5	M12 x 1,5	20 (0.787)	7 (0.275)	STD0401-0410AS
M20 x 1,5	M16 x 1,5	24 (0.945)	7 (0.275)	STD0401-0411AS
M25 x 1,5	M20 x 1,5	28 (1.102)	7 (0.275)	STD0401-0377AS
M32 x 1,5	M20 x 1,5	36 (1.417)	8 (0.315)	STD0401-0376AS
M32 x 1,5	M25 x 1,5	36 (1.417)	8,5 (0.334)	STD0401-0412AS
M40 x 1,5	M32 x 1,5	42 (1.653)	8,5 (0.334)	STD0401-0371AS

O'ring included

mm / (inch)

Accessories - SRC

90° ANGLED STRAIN RELIEFS

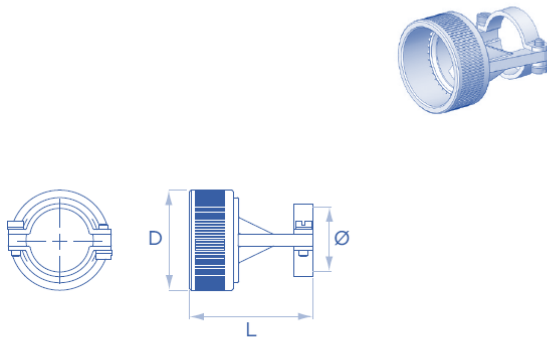


Material : Black anodised aluminium
(Also available : nickel plated finish, contact us)

Thread	L	D	H	Ø min.	Ø max.	Part Number
1/2"-20 UNEF	25,70 (1.011)	15,50 (0.610)	20,70 (0.815)	5,15 (0.203)	5,80 (0.228)	STD0401-0426AS
5/8"-24 UNEF	28,05 (1.104)	18,70 (0.736)	22,00 (0.866)	7,25 (0.285)	7,80 (0.307)	STD0401-0427AS
3/4"-20 UNEF	31,50 (1.240)	21,80 (0.858)	23,80 (0.937)	10,55 (0.415)	11,2 (0.441)	STD0401-0428AS
7/8"-20 UNEF	33,75 (1.329)	25,00 (0.984)	25,30 (0.996)	12,05 (0.474)	13,2 (0.520)	STD0401-0429AS
1"-20 UNEF	37,15 (1.462)	28,20 (1.10)	26,80 (1.055)	15,95 (0.628)	17 (0.669)	STD0401-0430AS
1 1/16"-18 UNEF	40,60 (1.598)	30,25 (1.190)	28,30 (1.112)	17,95 (0.707)	19 (0.748)	STD0401-0431AS
1 3/16"-18 UNEF	43,95 (1.730)	34,15 (1.344)	29,90 (1.177)	21,05 (0.829)	22,7 (0.893)	STD0401-0432AS
1 5/16"-18 UNEF	47,05 (1.852)	36,85 (1.451)	31,60 (1.244)	24,25 (0.955)	25,90 (1.019)	STD0401-0433AS
1 7/16"-18 UNEF	50,15 (1.974)	40,50 (1.594)	33,20 (1.307)	27,45 (1.081)	29 (1.141)	STD0401-0434AS

mm / (inch)

STRAIGHT STRAIN RELIEFS



Material : Black anodised aluminium
(Also available : nickel plated finish, contact us)

Thread	L	D	Ø min.	Ø max.	Part Number
1/2"-20 UNEF	22,25 (0.876)	15,50 (0.610)	5,15 (0.203)	6,80 (0.268)	STD0401-0417AS
5/8"-24 UNEF	22,25 (0.876)	18,70 (0.736)	7,25 (0.285)	7,95 (0.313)	STD0401-0418AS
3/4"-20 UNEF	22,25 (0.876)	21,80 (0.858)	10,55 (0.415)	12,75 (0.502)	STD0401-0419AS
7/8"-20 UNEF	28,25 (1.112)	25,00 (0.984)	12,05 (0.474)	14,6 (0.575)	STD0401-0420AS
1"-20 UNEF	28,25 (1.112)	28,20 (1.10)	15,85 (0.624)	17,8 (0.701)	STD0401-0421AS
1 1/16"-18 UNEF	28,25 (1.112)	30,25 (1.191)	17,95 (0.707)	19,8 (0.780)	STD0401-0422AS
1 3/16"-18 UNEF	28,25 (1.112)	33,55 (1.321)	21,05 (0.829)	23 (0.906)	STD0401-0423AS
1 5/16"-18 UNEF	28,25 (1.112)	36,85 (1.451)	24,25 (0.955)	26,10 (1.028)	STD0401-0424AS
1 7/16"-18 UNEF	28,25 (1.112)	40,50 (1.594)	27,45 (1.081)	28,80 (1.134)	STD0401-0425AS

mm / (inch)

Accessories - SRC

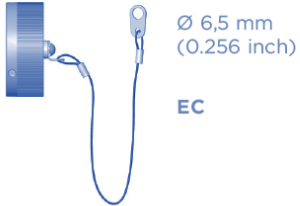
PROTECTIVE CAPS

SRC B FM X 18

PROTECTIVE CAPS FOR RECEPTACLE

EC Nylon rope

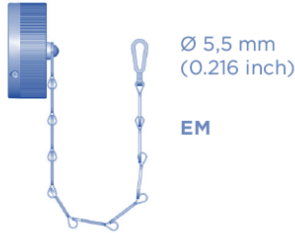
EM Stainless steel chain



Ø 6,5 mm
(0.256 inch)

EC

L = 250 mm (9.842 inch)



Ø 5,5 mm
(0.216 inch)

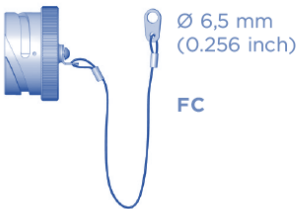
EM

L = 245 mm (9.645 inch)

PROTECTIVE CAPS FOR PLUG

FC Nylon rope

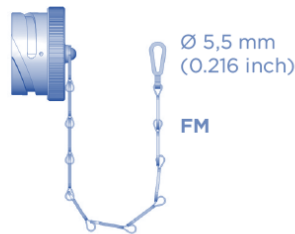
FM Stainless steel chain



Ø 6,5 mm
(0.256 inch)

FC

L = 250 mm (9.842 inch)



Ø 5,5 mm
(0.216 inch)

FM

L = 245 mm (9.645 inch)

SHELL PLATING

- P** Black passivation - 250 H Salt Spray - Conductive
- X** Black anodizing - 500 H Salt Spray - Non Conductive

SHELL SIZES

16S - 18 - 20 - 22 - 24 - 28 - 32 - 36 - 40

SRCBFMX18

Protective cap for plug with stainless steel chain for shell size 18 - Plating : black anodizing

Safety Instructions - SRC

- Ensure cables and contacts withstand the electrical and environmental characteristics of your application.
- Always use tools recommended in this catalog or on the assembly drawings.
- Check connector assembly and wiring before switching power on.
- It is recommended that the termination of all electrical equipment be undertaken only by suitably trained and qualified personnel.
- To ensure the safe and efficient operation of connectors, the relevant operations manual must be followed, please consult us.
- Do not disconnect under voltage.
- In doubt, please contact us.

